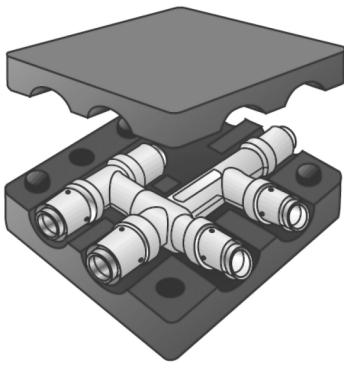


KELOX

KM441 KELOX double connector tee 16/16/16

9828220

Areas of application



Double press tee piece equal or reduced in noise protection box, made from non-porous metallised brass, including support sleeves with O-rings and stainless steel press-fit sleeves

Size: L: 115mm W: 115mm H: 55mm

Approvals:



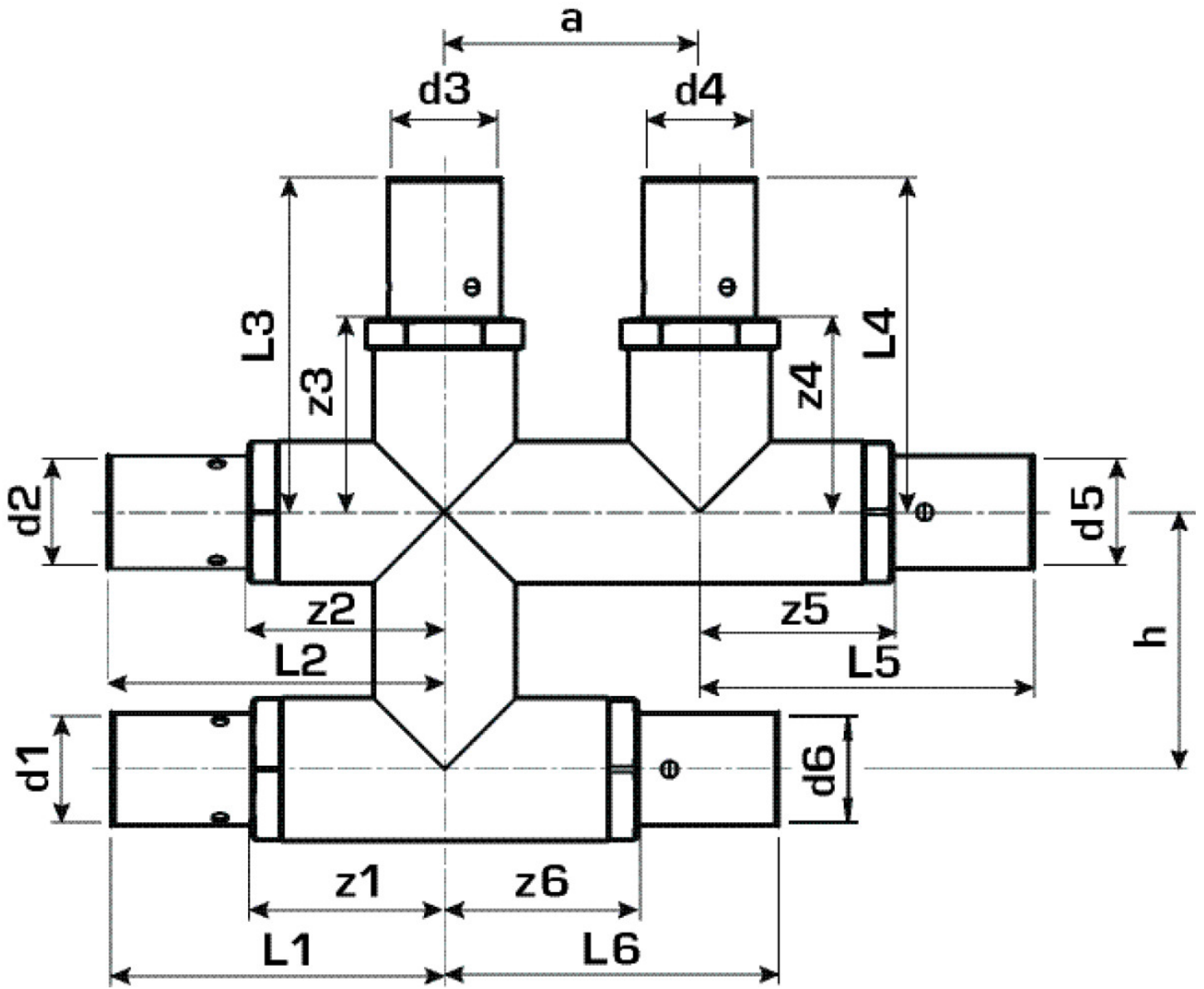
Specifications

Article information

| | |
|---------------|-----------------|
| port 1 | Pressing socket |
| port 2 | Pressing socket |
| execution | Cross pair |
| press contour | U |

Product information

| | |
|---------------------|----------------------------|
| VPE1 | 1,00 KT1 |
| weight | 0,380 KGM |
| text | KELOX double connector tee |
| INTRNR | 74122000 |
| main material group | KELOX |
| material group | KELOX metal fittings |
| code | KM441 |



| Art. No | label |
|---------|----------|
| 9828220 | 16/16/16 |