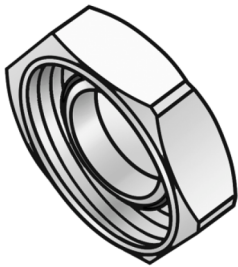


KELOX

KM370E KELOX screw cap 3/4"

7706820

Areas of application



End cap made of non-porous metallised brass with female thread; for closing off manifold outlets with a 3/4" euro cone, coupling system components, and the KM595 Quattro radiator block

Approvals:



Specifications

Article information

port 1 Miscellaneous

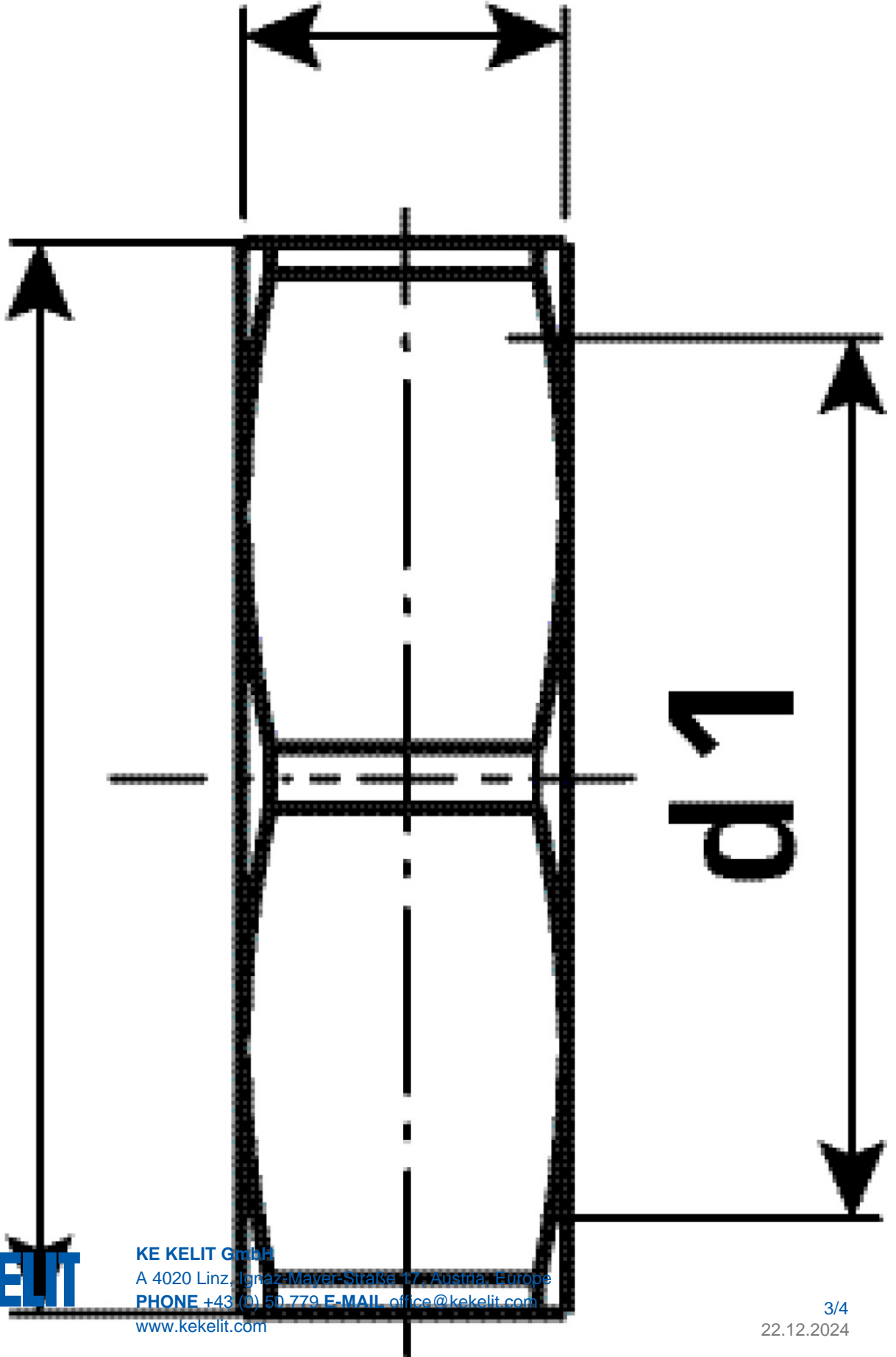
Product information

VPE1	10,00 KT1
weight	0,030 KGM
text	KELOX screw cap
INTRNR	74122000
main material group	KELOX
material group	KELOX screw fittings
code	KM370E

slw 2

L1

d1



Art. No	label	d1 Inches	L1 mm	slw1 mm
7706820	3/4"	3/4"	9	30



KE KELIT GmbH

A 4020 Linz, Ignaz-Mayer-Straße 17, Austria, Europe

PHONE +43 (0) 50 779 **E-MAIL** office@kekelit.com

www.kekelit.com