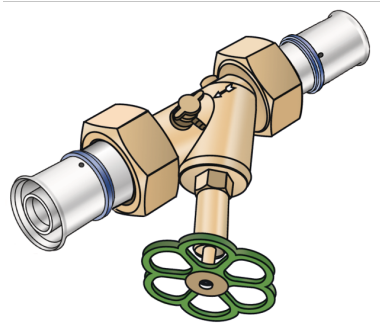


KELOX

KMU452 KELOX-ULTRAX slanted-seat valve 16-DN15

71233BB0

Areas of application



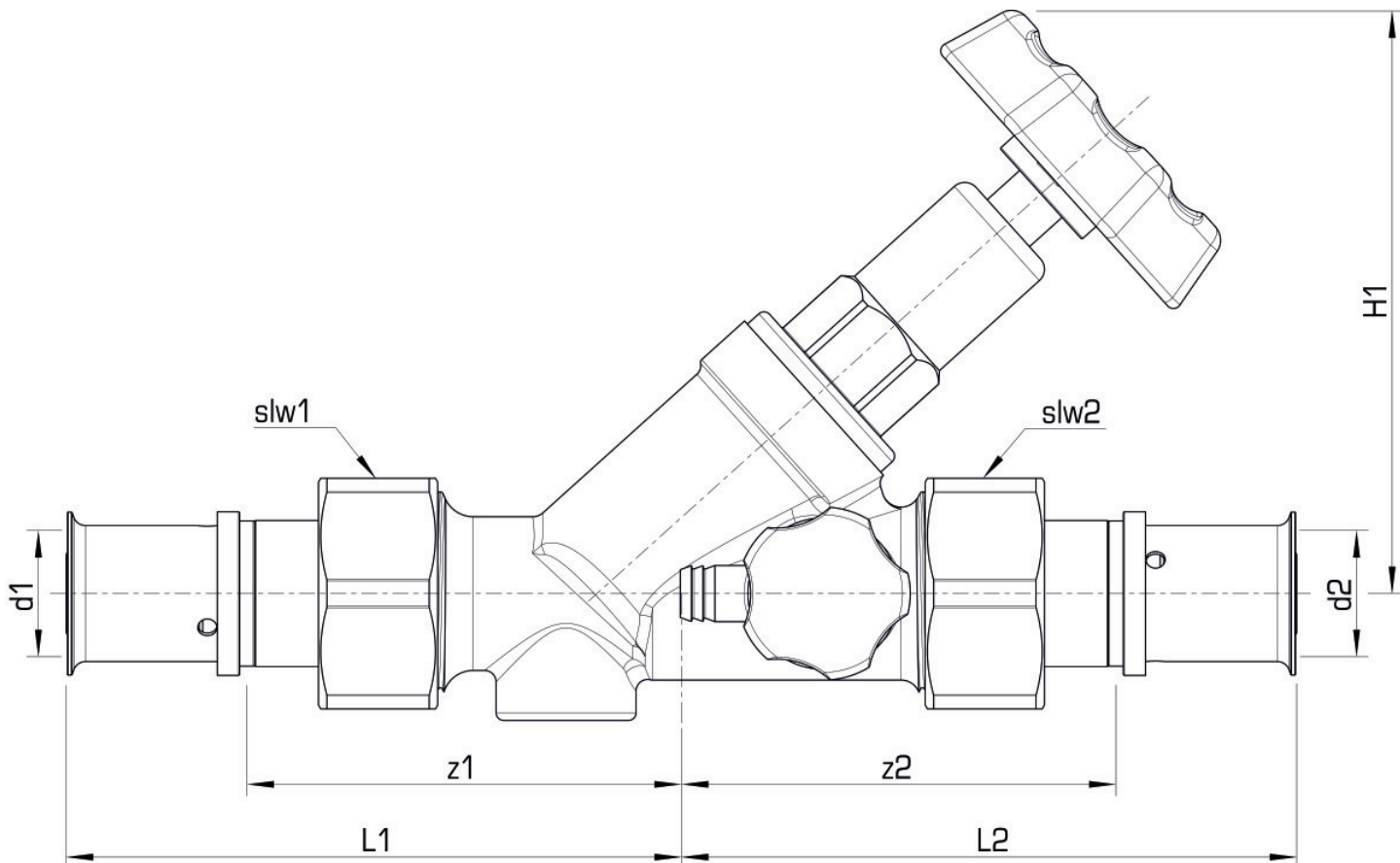
Slanted-seat valve with ULTRAX press-fit threaded unions KMU455 top part free of dead space, flat-sealing incl. seal and drain outlet "leak before pressed"

Approvals:



Specifications

Product information	
VPE1	1,00 SA1
VPE2	10,00 KT1
weight	0,524 KGM
text	KELOX-ULTRAX slanted-seat valve
INTRNR	74122000
main material group	KELOX
material group	KELOX-ULTRAX metal fittings
code	KMU452



Art. No	label	L1 mm	L2 mm	z1 mm	z2 mm	slw1 mm	slw2 mm
71233BB0	16-DN15	81	81	52	58	49	30