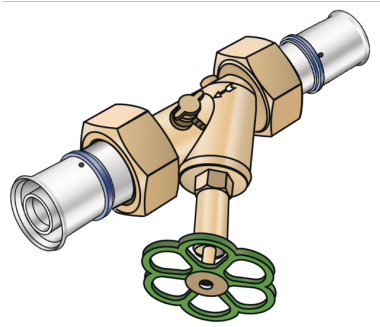


# KELOX

## KMU452 KELOX-ULTRAX slanted-seat valve 25-DN20

71233EE0

### Areas of application



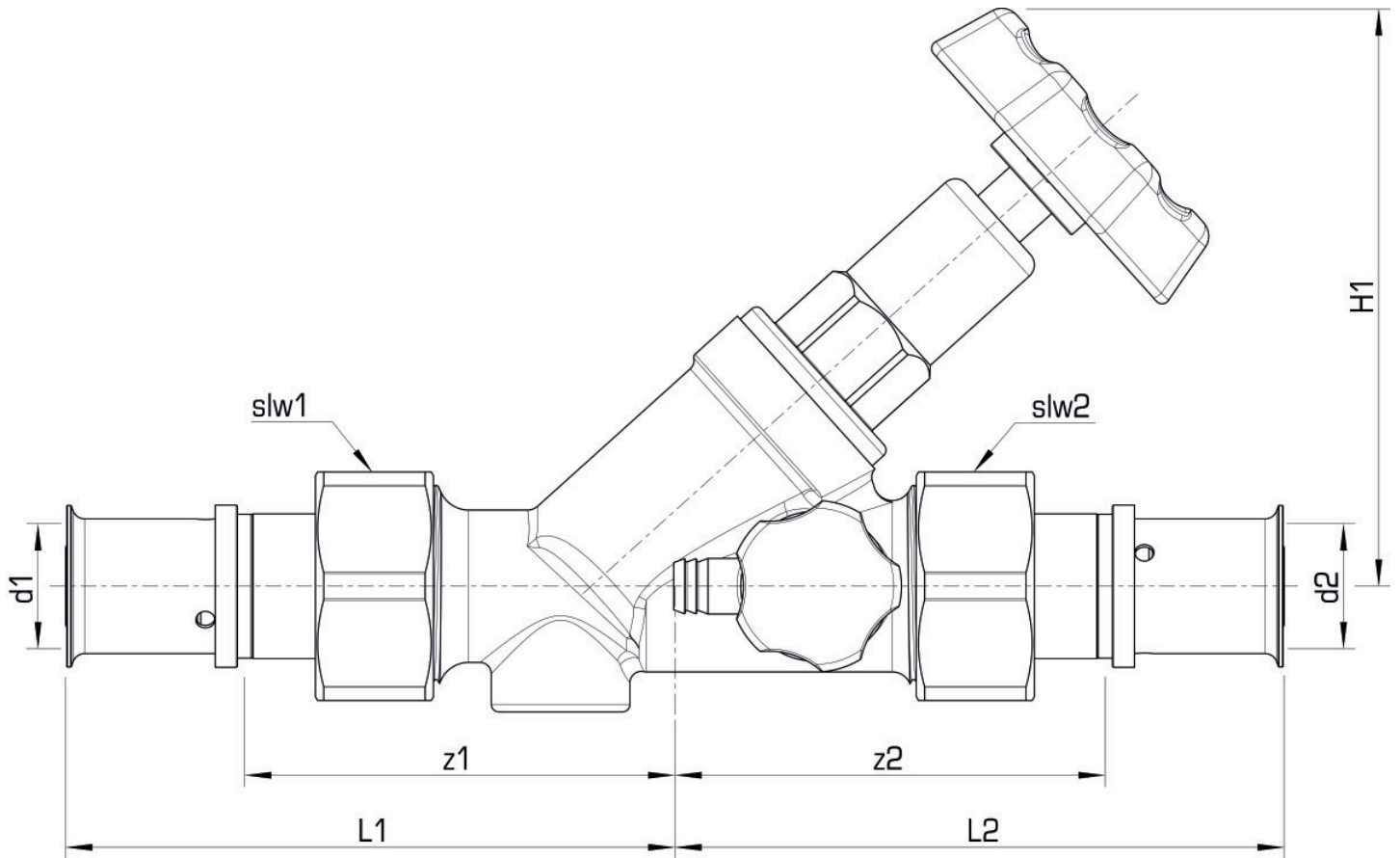
Slanted-seat valve with ULTRAX press-fit threaded unions KMU455 top part free of dead space, flat-sealing incl. seal and drain outlet "leak before pressed"

### Approvals:



# Specifications

Product information	
VPE1	1,00 SA1
VPE2	10,00 KT1
weight	0,911 KGM
text	KELOX-ULTRAX slanted-seat valve
INTRNR	74122000
main material group	KELOX
material group	KELOX-ULTRAX metal fittings
code	KMU452



Art. No	label	L1 mm	L2 mm	z1 mm	z2 mm	slw1 mm	slw2 mm
71233EE0	25-DN20	103	103	70	70	57	38