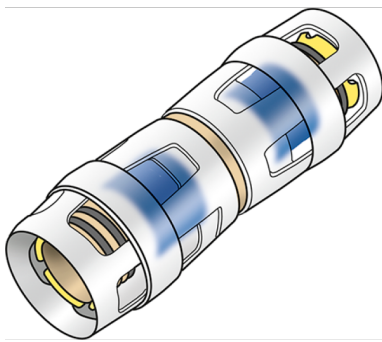


KELOX

KMP410 KELOX-PROTEC coupling 32/20

73100FD0

Areas of application



?Push-in coupling equal or reduced, made of dezincification-resistant brass (DZR), incl. push-on sleeve made of transparent polyamide, pull-out barriers and a protector ring as insertion locking device

Approvals:



Specifications

Article information

| | |
|-----------|---------------|
| port 1 | Plug-in |
| port 2 | Plug-in |
| execution | Miscellaneous |
| design | Straight |

Technical properties

| | |
|------------------------------------|--------|
| maximum working pressure at 20 ° C | 10 bar |
|------------------------------------|--------|

Product information

| | |
|---------------------|---------------------------|
| VPE1 | 10,00 SA1 |
| VPE2 | 70,00 KT1 |
| weight | 0,122 KGM |
| text | ?KELOX-PROTEC coupling |
| INTRNR | 74122000 |
| main material group | KELOX |
| material group | KELOX-PROtec pushfittings |
| code | KMP410 |



| Art. No | label | d1 mm | d2 mm | L1 mm | L2 mm | z1 mm | z2 mm |
|----------|-------|-------|-------|-------|-------|-------|-------|
| 73100FD0 | 32/20 | 32 | 20 | 42,5 | 36 | 3,5 | 3 |