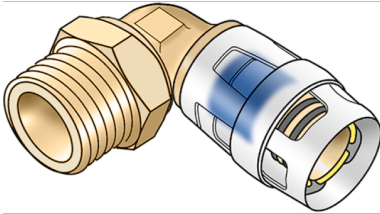


KELOX

KMP460 KELOX-PROTEC elbow adapter 90° male 20x3/4"

73212D04

Areas of application



?Plug-in adapter elbow with male thread for sealing, made of dezincification-resistant brass (DZR), incl. push-on sleeve made of transparent polyamide, O-rings, withdrawal barriers and protector ring as an insertion locking device

Approvals:



Specifications

Article information

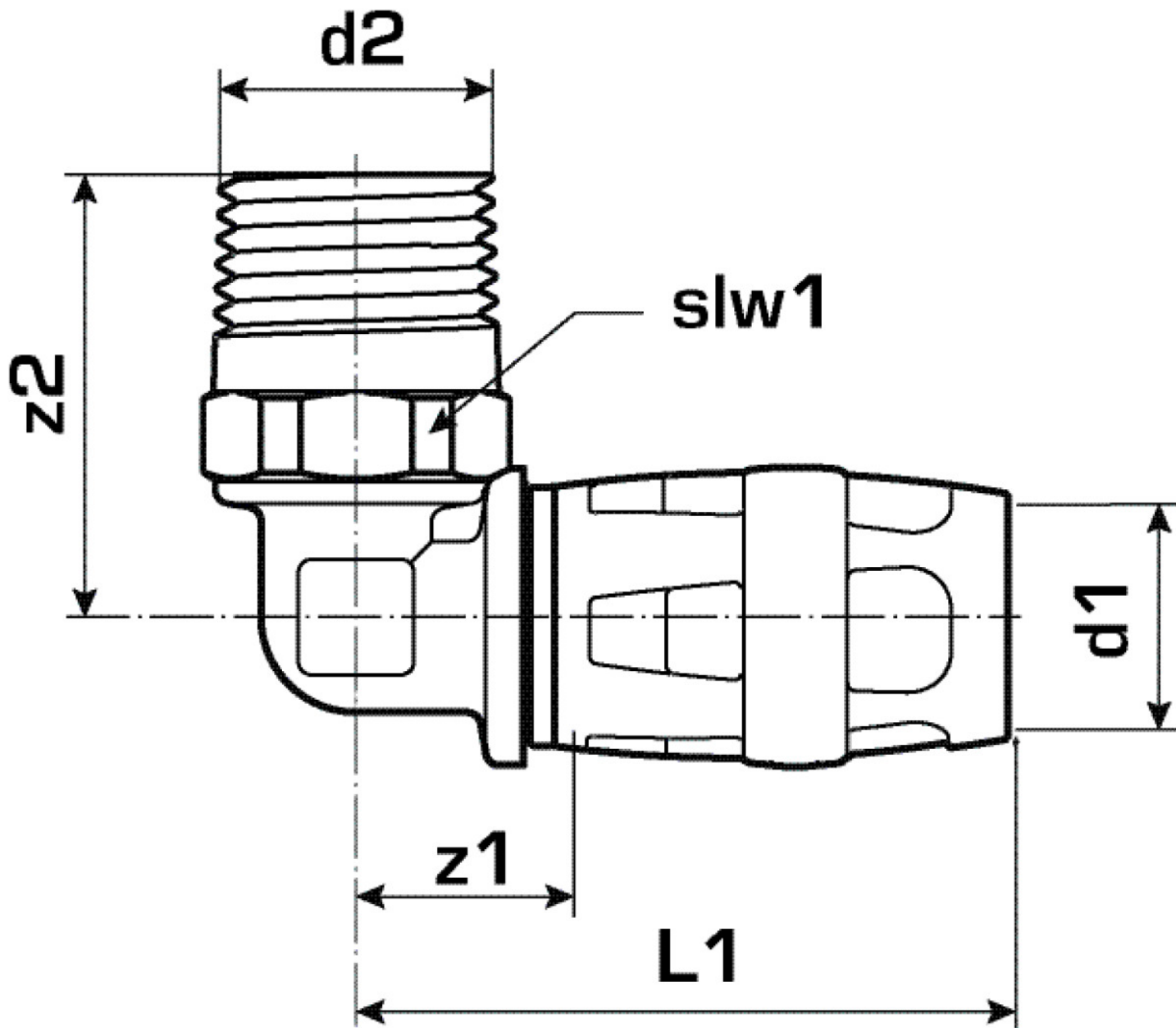
| | |
|--------|---|
| port 1 | Plug-in |
| port 2 | Male thread conical (NPT) conical (NPT) |
| design | Knee |
| angle | 90 ° |

Technical properties

| | |
|------------------------------------|--------|
| maximum working pressure at 20 ° C | 10 bar |
|------------------------------------|--------|

Product information

| | |
|---------------------|-------------------------------------|
| VPE1 | 10,00 SA1 |
| VPE2 | 90,00 KT1 |
| weight | 0,142 KGM |
| text | KELOX-PROTEC elbow adapter 90° male |
| INTRNR | 74122000 |
| main material group | KELOX |
| material group | KELOX-PROtec pushfittings |
| code | KMP460 |



| Art. No | label | d1 mm | L1 mm | L2 mm | z1 mm | slw1 mm |
|----------|---------|-------|-------|-------|-------|---------|
| 73212D04 | 20x3/4" | 20 | 48,5 | 33,5 | 15,5 | 27 |