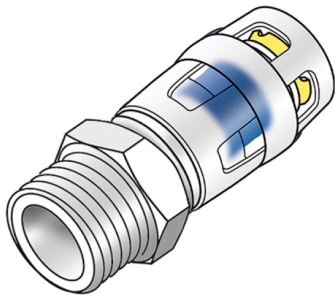


KELOX

KWP450 KELOX-PROTEC PPSU adapter with male thread 20x3/4"

73702D04

Areas of application



Push-in adapter with male thread for sealing with hemp, made of PPSU, incl. push-on sleeve made of transparent polyamide, O-rings, withdrawal barriers and protector ring as an insertion locking device

Do NOT use liquid sealants or thread sealing tape!

Approvals:



Specifications

Article information

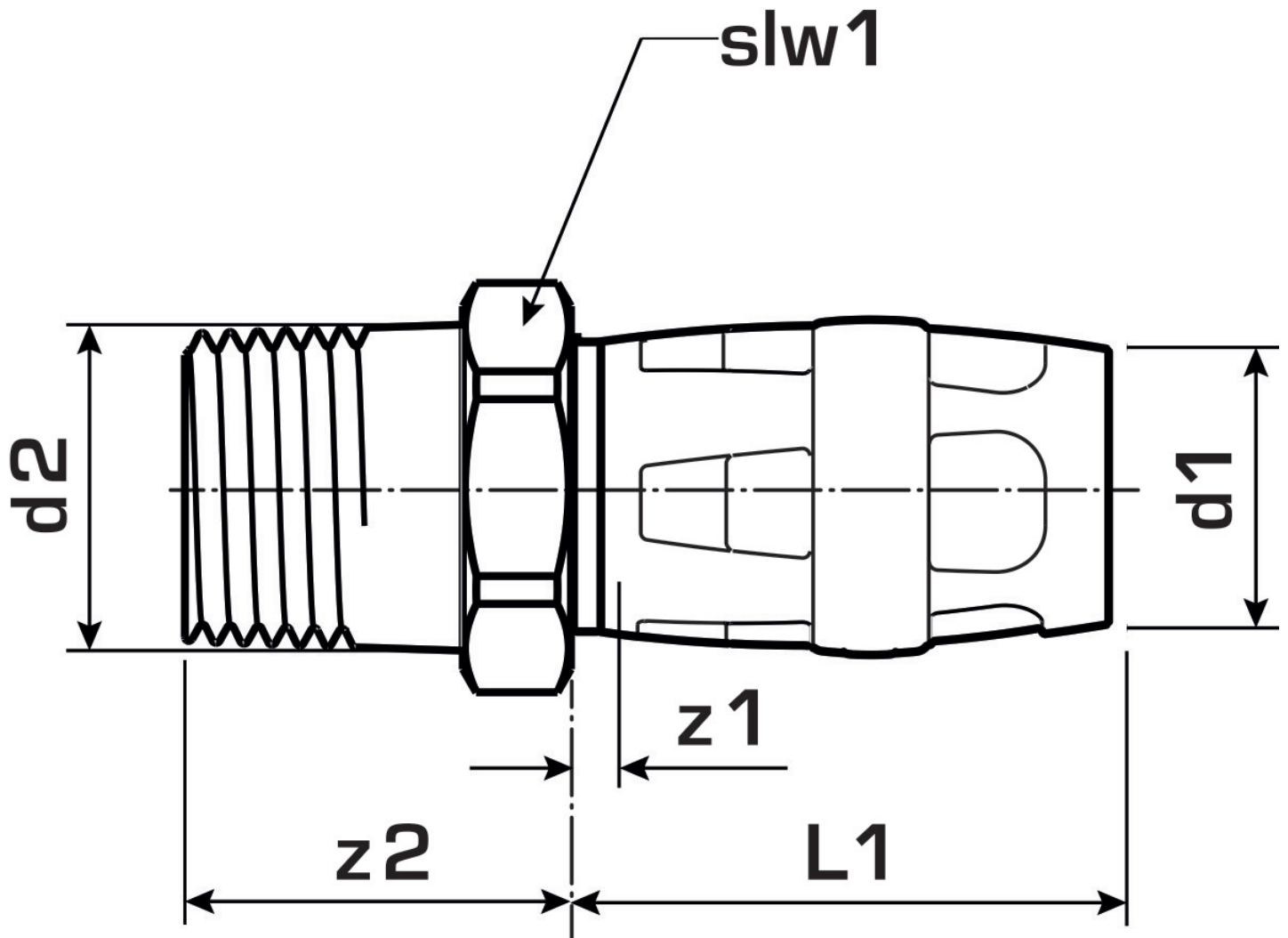
port 1	Plug-in
execution	Miscellaneous
design	Straight

Technical properties

maximum working pressure at 20 ° C	10 bar
------------------------------------	--------

Product information

VPE1	10,00 SA1
VPE2	130,00 KT1
weight	0,032 KGM
text	?KELOX-PROTEC PPSU adapter with male thread
INTRNR	39174000
main material group	KELOX
material group	KELOX-PROtec-PPSU pushfittings
code	KWP450



Art. No	label	d2 Inches	d1 mm	L1 mm	z1 mm	z2 mm	slw1 mm
73702D04	20x3/4"	3/4" (20)	20	33	3	33	30