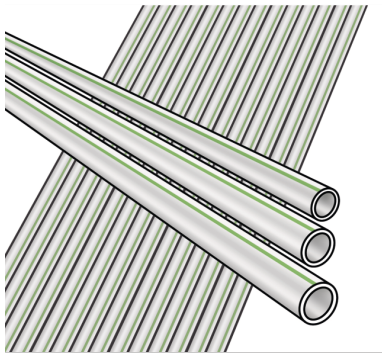


# STEELOX

## SMX110 STEELOX multilayer composite pipe 25x2.5 / 5m

57005E00

### Areas of application



STEELOX pipe conforming to ÖNORM B 5175, oxygen- and steam diffusion-tight multi-layer composite pipe made of stainless steel/PE-RT

Classification of operating conditions as per ÖNORM B 5175 - Class 2:

70°C/10 bar, max. operating temperature up to 80°C - accident temperature 100°C (max. 100h)

Colour: silver with green longitudinal stripes

Rod length: 5m

## Approvals:



# Specifications

## Article information

color	Silver with green longitudinal stripes
flexible	Yes
trade length	5 m
isolation	No

## Technical properties

maximum working pressure at 20 ° C	10 bar
pipe weight	0,22 kg/m
pipe contents	0,314 l/m
lambda pipe	0,45 W/(m.K)
wall rawness	0,01 mm
expansion coefficient	0,045 mm/(m.K)

## Product information

VPE1	50,00 BND
VPE2	1650,00 HOB
L	5 m
weight	0,251 KGM
text	STEELOX multilayer composite pipe
INTRNR	39173900
code	SMX110



Art. No	label	d1 mm	pipe contents l/m	s mm
57005E00	25x2.5 / 5m	25	0,314	2,5



**KE KELIT GmbH**

A 4020 Linz, Ignaz-Mayer-Straße 17, Austria, Europe

**PHONE** +43 (0) 50 779 **E-MAIL** [office@kekelit.com](mailto:office@kekelit.com)

[www.kekelit.com](http://www.kekelit.com)