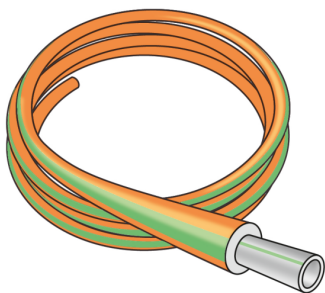


STEELOX

SMX133 STEELOX Plus pipe - 13mm 25x2.5

57018E00

Areas of application



STEELOX pipe conforming to ÖNORM B 5175, oxygen- and steam diffusion-tight multi-layer composite pipe made of stainless steel/PE-RT, with factory-applied 13 mm closed-cell soft foam insulation material and protective jacket made of viscoplastic PE film

Classification of operating conditions as per ÖNORM B 5175 - Class 2:

70°C/10 bar, max. operating temperature up to 80°C - accident temperature 100°C (max. 100h)

Insulation material thickness: 13mm

Colour: orange

Supplied in coils

Approvals:



Specifications

Article information

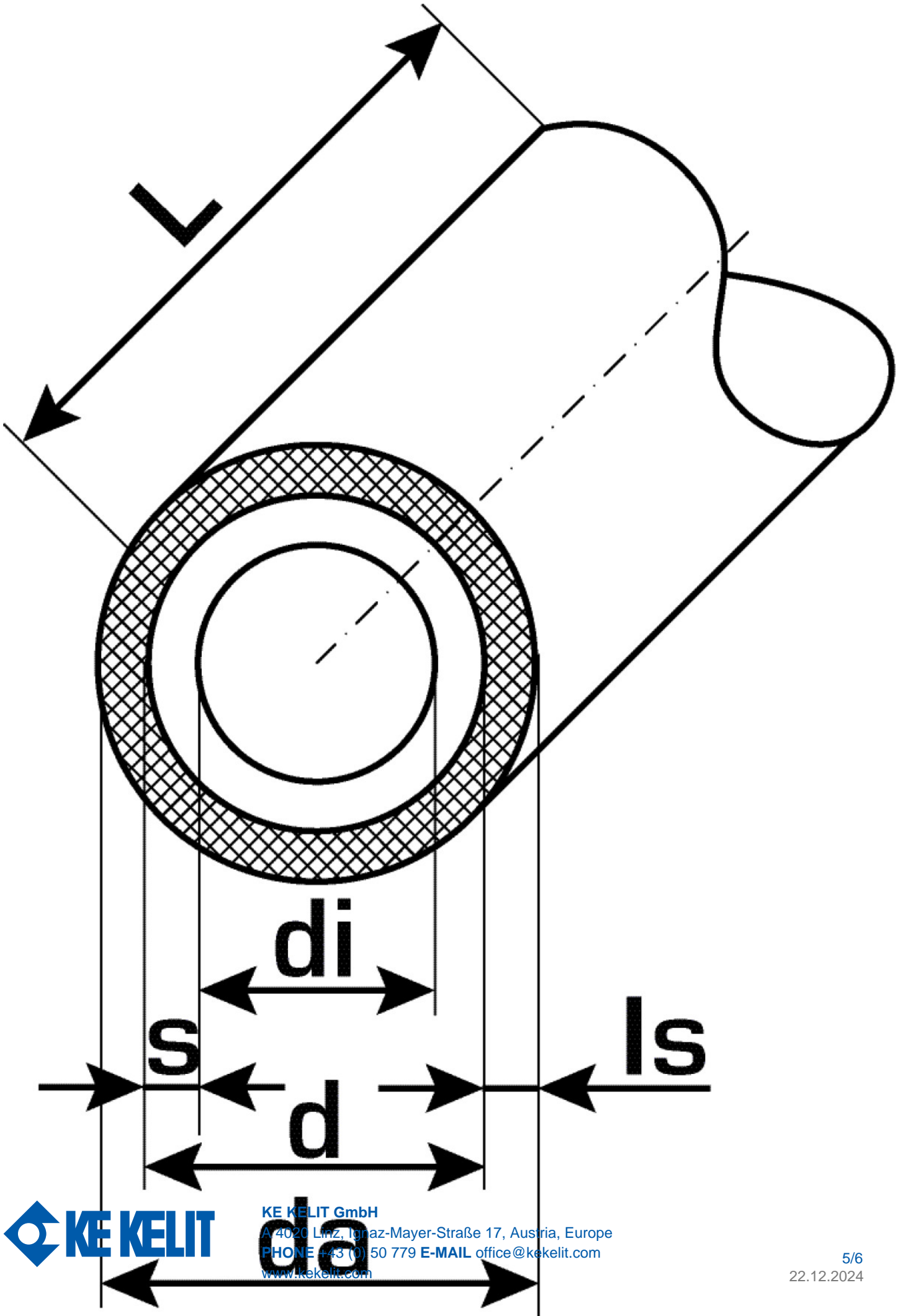
color	Silver with green longitudinal stripes
colour isolation	Miscellaneous
flexible	Yes
trade length	25 m
isolation	Yes

Technical properties

maximum working pressure at 20 ° C	10 bar
thick thermal insulation	13 mm
pipe weight	0,36 kg/m
pipe contents	0,314 l/m
lambda pipe	0,45 W/(m.K)
wall rawness	0,01 mm
expansion coefficient	0,045 mm/(m.K)

Product information

VPE1	25,00 ROL
VPE2	325,00 PAL
L	25 m
weight	0,333 KGM
text	STEELOX Plus pipe - 13mm
INTRNR	39173900
code	SMX133



Art. No	label	d1 mm	d Jacket tube mm	pipe contents l/m	s mm
57018E00	25x2.5	25	51	0,314	2,5



KE KELIT GmbH

A 4020 Linz, Ignaz-Mayer-Straße 17, Austria, Europe

PHONE +43 (0) 50 779 **E-MAIL** office@kekelit.com

www.kekelit.com