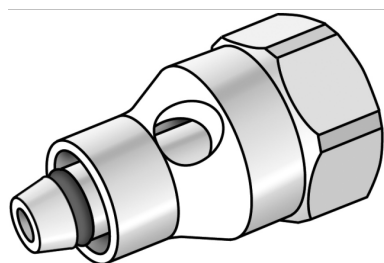


STEELOX

SMX258 STEELOX stopper for pressure testing 25x1/2"

57900E02

Areas of application



Re-usable plug for forcing off STEELOX or KELOX multilayer pipes

After removing the forcing-off plug, cut off the pipe end!

NOT suitable for continuous use!

Specifications

Article information

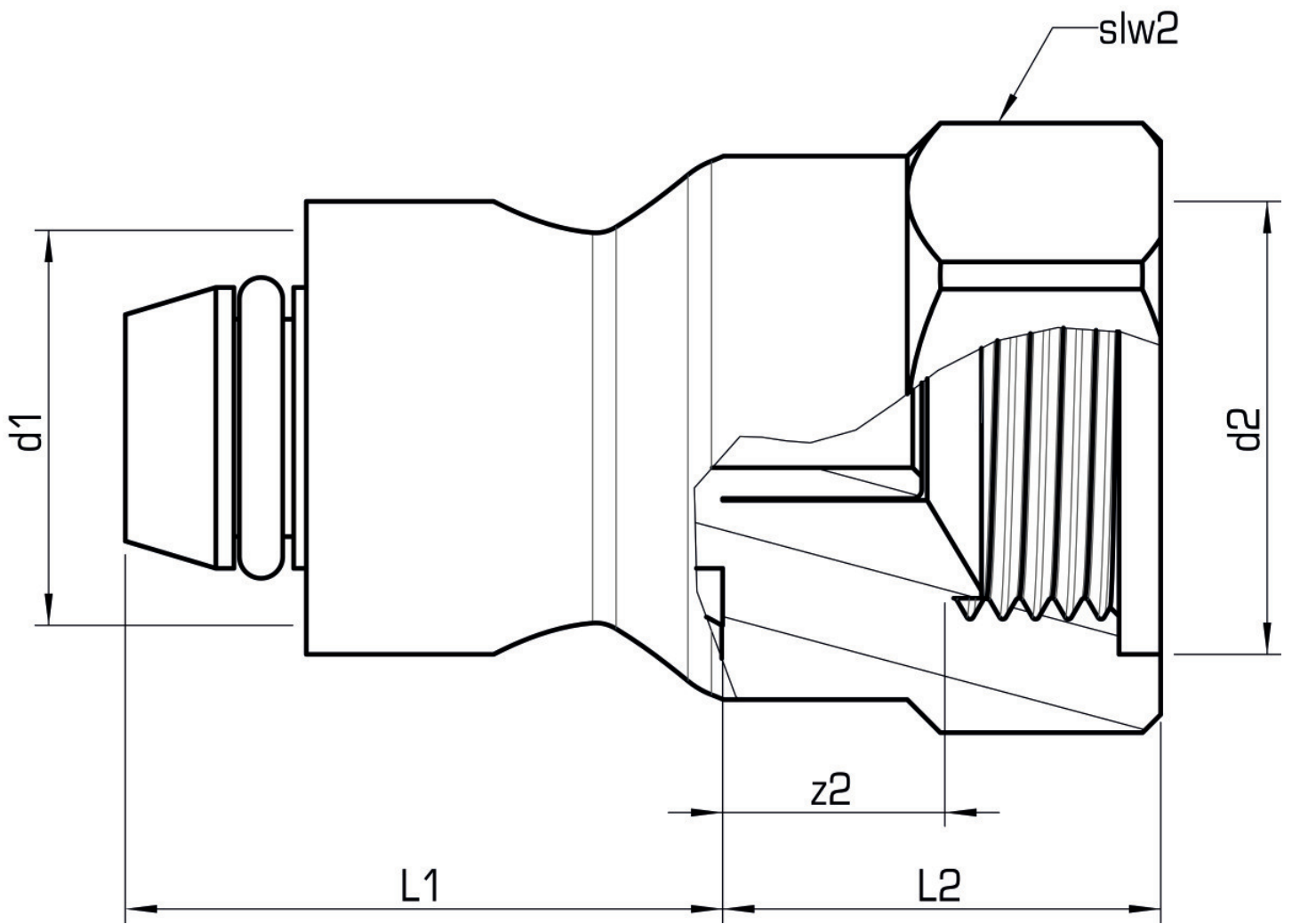
| | |
|-----------|---------------------------------------------------------|
| port 1 | sonstige |
| port 2 | Innengewinde zylindrisch BSPT-Rp (ISO 7-1 / EN 10226-1) |
| execution | 1-part |
| design | gerade |

Technical properties

| | |
|------------------------------------|--------|
| maximum working pressure at 20 ° C | 16 bar |
| PN | PN 10 |

Product information

| | |
|--------|--------------------------------------|
| VPE1 | 1,00 KT1 |
| VPE2 | 100,00 KT2 |
| weight | 0,280 KGM |
| text | STEELOX stopper for pressure testing |
| INTRNR | 84818059 |
| code | SMX258 |



| Art. No | label | d2 Inches | d1 mm | L1 mm | L2 mm | z2 mm | slw2 mm |
|----------|---------|-----------|-------|-------|-------|-------|---------|
| 57900E02 | 25x1/2" | 1/2" (15) | 25 | 33 | 23,5 | 13,5 | 30 |