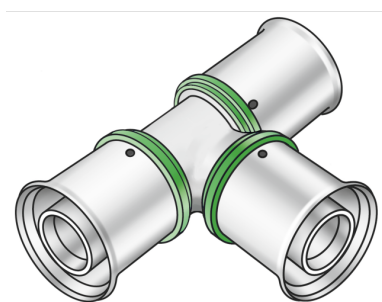


# STEELOX

## SMX440Z ?STEELOX zeta tee 16/16/16

57111BBB

### Areas of application



?Zeta value-optimised press-fit tee, equal or reduced, made of non-porous metallised dezincification-resistant (DZR) brass, incl. support sleeves with O-rings and stainless steel pressing sleeves, "leak before pressed"

### Approvals:



KE KELIT GmbH

A 4020 Linz, Ignaz-Mayer-Straße 17, Austria, Europe

PHONE +43 (0) 50 779 E-MAIL [office@kekelit.com](mailto:office@kekelit.com)

[www.kekelit.com](http://www.kekelit.com)

# Specifications

## Article information

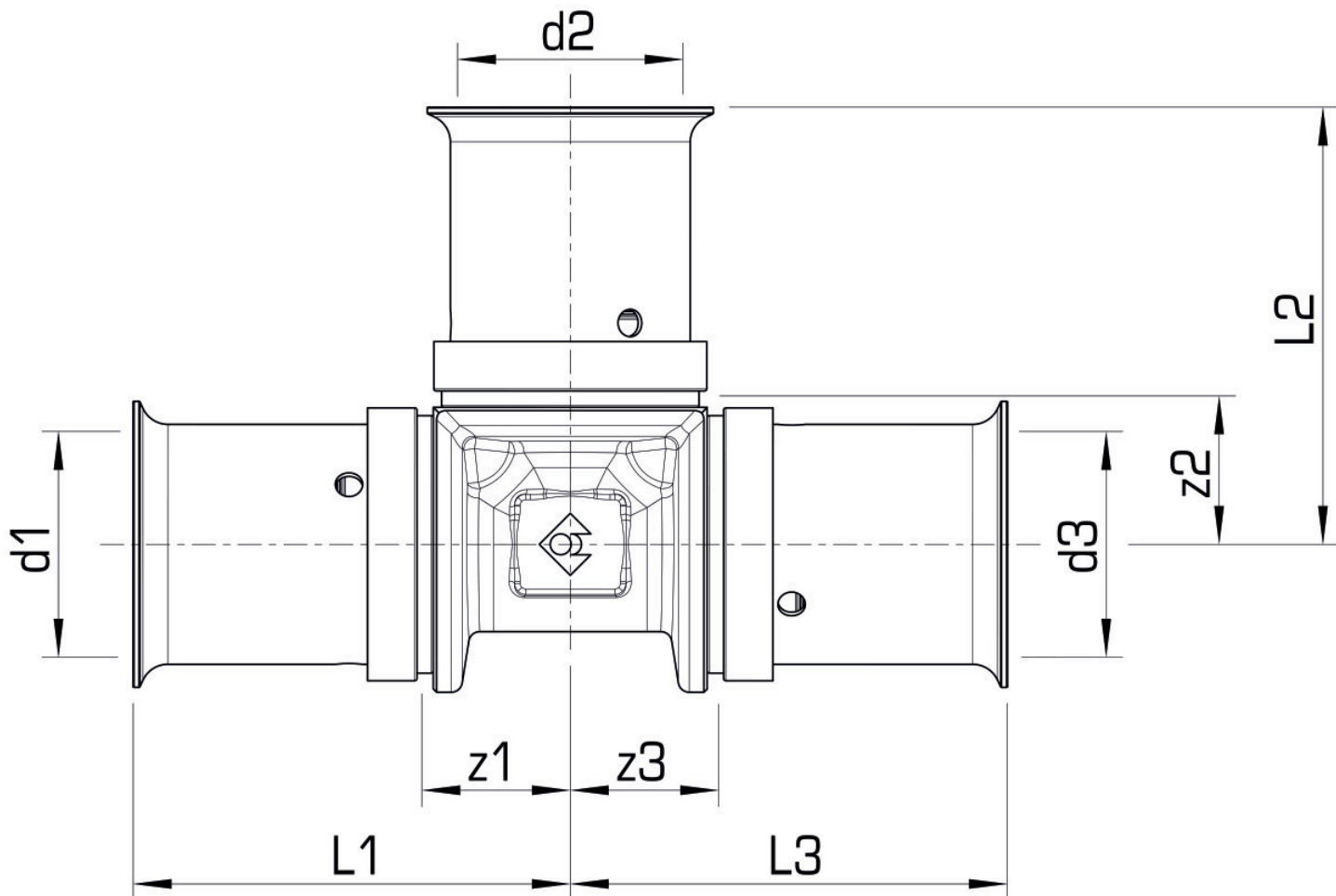
|               |                 |
|---------------|-----------------|
| port 1        | Pressing socket |
| port 2        | Pressing socket |
| port 3        | Pressing socket |
| execution     | Tee piece       |
| angle         | 90 °            |
| press contour | SX              |

## Technical properties

|                                    |        |
|------------------------------------|--------|
| maximum working pressure at 20 ° C | 10 bar |
|------------------------------------|--------|

## Product information

|        |                   |
|--------|-------------------|
| VPE1   | 10,00 SA1         |
| VPE2   | 150,00 KT1        |
| weight | 0,084 KGM         |
| text   | ?STEELOX zeta tee |
| INTRNR | 74122000          |
| code   | SMX440Z           |



| Art. No  | label    | d1 mm | d2 mm | d3 mm | L1 mm | L2 mm | L3 mm | z1 mm | z2 mm | z3 mm |
|----------|----------|-------|-------|-------|-------|-------|-------|-------|-------|-------|
| 57111BBE | 16/16/16 | 16    | 16    | 16    | 35    | 35    | 35    | 12,5  | 12,5  | 12,5  |