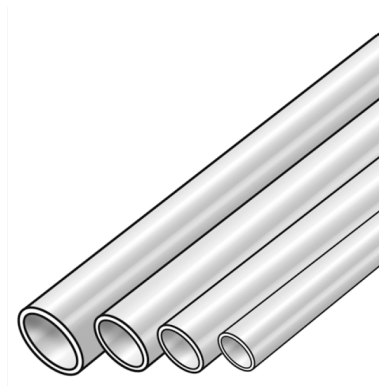


STEEL FIX EDELSTAHL

NF110 STEELFIX stainless steel pipe 1.4521 - nickel-free 15x1.0

53011B00

Areas of application



Thin-walled, longitudinally welded nickel-free stainless steel pipes 1.4521 according to EN 10088, EN 10296-2 outside and inside metallic bright

Application area: Drinking water installations, service water and rain water

d15 - 54 mm - max. 16 bar

Operating temperature: - 35°C to 120°C - tmax 150°C/16 bar - briefly

Rod length: 6m

Approvals:



Specifications

Article information

port 1 Rohrende

Technical properties

pipe weight 0,33 kg/m

pipe contents 0,133 l/m

PN PN 16

Product information

VPE1 762,00 BND

L 6 m

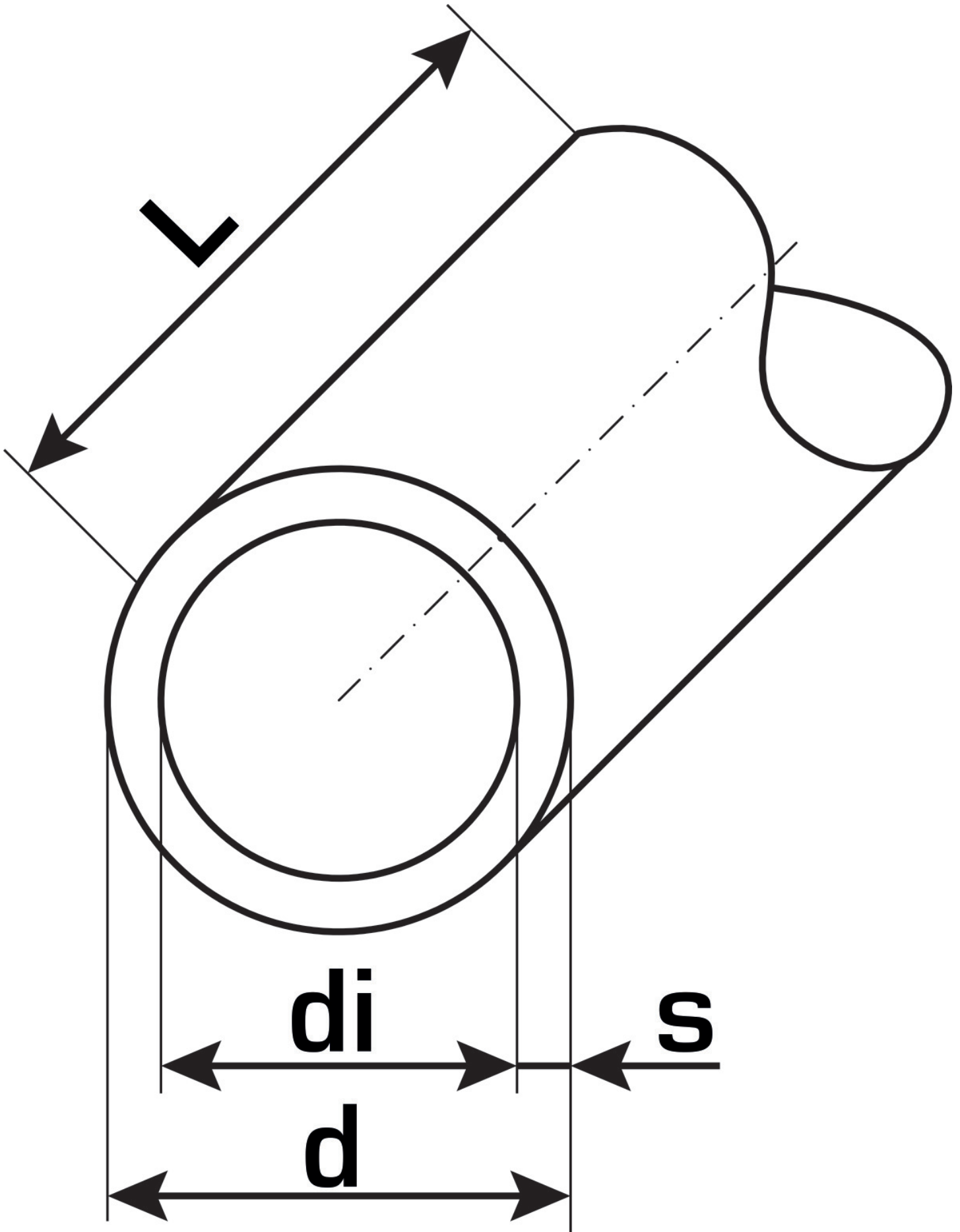
weight 0,350 KGM

text STEELFIX stainless steel pipe 1.4521 - nickel-free

INTRNR 73064020

material group EDELSTAHL pipes

code NF110



| Art. No | label | d1 mm | pipe contents l/m | s mm |
|----------|--------|-------|-------------------|------|
| 53011B00 | 15x1.0 | 15 | 0,133 | 1 |



KE KELIT GmbH

A 4020 Linz, Ignaz-Mayer-Straße 17, Austria, Europe

PHONE +43 (0) 50 779 **E-MAIL** office@kekelit.com

www.kekelit.com