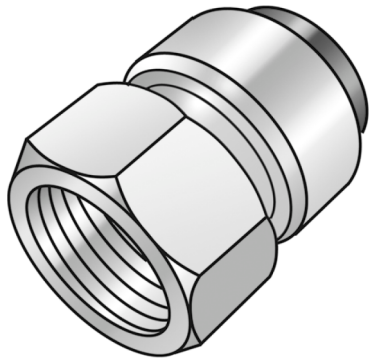


STEEL FIX EDELSTAHL

NF457 STEELFIX stainless steel push-fit adapter with female thread 18x1/2"

53206C02

Areas of application



Push-in adapter with female thread made of stainless steel 1.4401, incl. EPDM sealing components and pull-out barriers, can be disassembled, to pressure-test Steelfix and copper pipes

ATTENTION, only use for pressure testing!

Approvals:



Specifications

Article information

port 1	Einsteck (Push-Fitting)
port 2	Innengewinde zylindrisch BSPT-Rp (ISO 7-1 / EN 10226-1)
execution	1-part
design	gerade

Technical properties

maximum working pressure at 20 ° C	16 bar
------------------------------------	--------

Product information

VPE1	5,00 SA1
VPE2	100,00 KT1
weight	0,101 KGM
text	STEELFIX stainless steel push-fit adapter with female thread
INTRNR	73071990
material group	EDELSTAHL pushfittings
code	NF457

Art. No	label	d2	d1 mm	L1 mm	L2 mm	z1 mm	z2 mm	slw2 mm
53206C02	18x1/2"	1/2" (15)	18	25	17	3	3	25



KE KELIT GmbH

A 4020 Linz, Ignaz-Mayer-Straße 17, Austria, Europe

PHONE +43 (0) 50 779 E-MAIL office@kekelit.com

www.kekelit.com