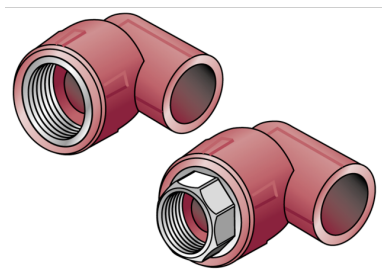


KETRIX

TRI23 KETRIX 90° adapter elbow with female thread 32x1"S

55216F05

Areas of application



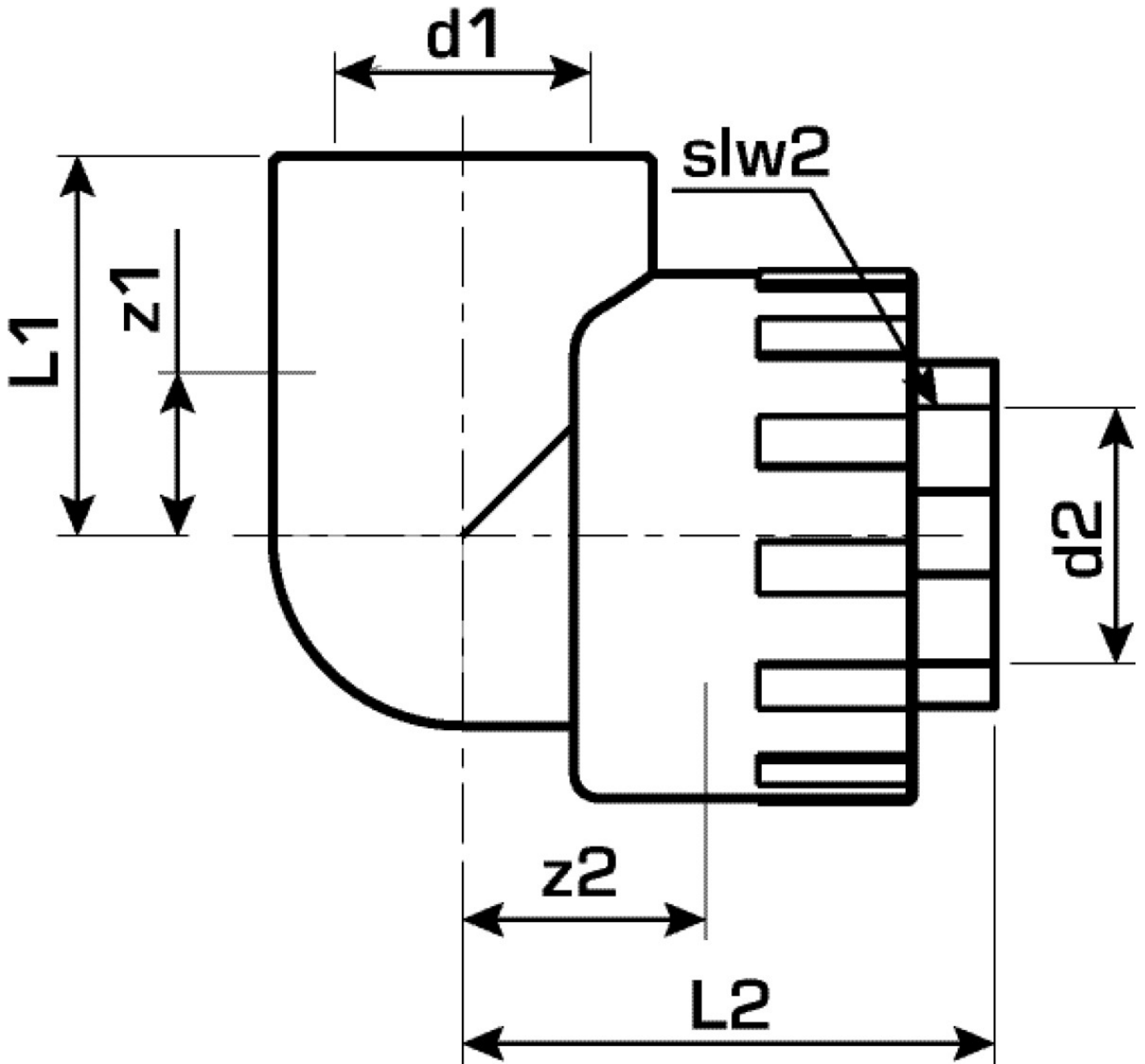
KETRIX polyfusion weld fitting for connecting POB pipes with fittings made of the same material without narrowing the cross-section, with injected male thread made of dezincification-resistant brass and non-porous metal-plating, thread conforms to ÖNORM EN 10226

System parts marked with an "S" are produced with a wrench attachment connection

Do NOT connect to threaded pipes or to cast iron fittings!

Specifications

| Product information | |
|---------------------|---|
| VPE1 | 5,00 SA1 |
| VPE2 | 30,00 KT1 |
| VPE3 | 120,00 KT2 |
| VPE4 | 2880,00 PAL |
| weight | 0,220 KGM |
| text | KETRIX 90° adapter elbow with female thread |
| INTRNR | 39174000 |
| main material group | KETRIX |
| material group | KETRIX metal fittings |
| code | TR123 |



| Art. No | label |
|----------|--------|
| 55216F05 | 32x1"S |