

KMU121K KELOX-ULTRAX FB Velcro tube 16x2

7001613

Areas of application



?KELOX-ULTRAX FB Velcro tube conforming to ÖNORM EN ISO 21003; oxygen- and water vapour-tight

5-layer multilayer pipe made of PE-RT/Al/ PE-RT; incl. coiled Velcro strip for fixing directly on the KM636 and KM636K KELOX FB Velcro panel and foil without any additional fixing

Classification of operating conditions according to ÖNORM EN ISO 21003

Underfloor heating - Class 4: 60°C - tmax 70°C/10 bar

Colour: blue/transparent

Rolled product

Approvals:



KE KELIT GmbH

A 4020 Linz, Ignaz-Mayer-Straße 17, Austria, Europe

PHONE +43 (0) 50 779 E-MAIL office@kekelit.com

www.kekelit.com

Specifications

Article information

color Blue

flexible 1

Technical properties

maximum working pressure at 20 ° C 10 bar

pipe weight 0,11 kg/m

pipe contents 0,113 l/m

lambda pipe 0,45 W/(m.K)

wall rawness 0,007 mm

expansion coefficient 0,025 mm/(m.K)

Product information

VPE1 300,00 ROL

VPE2 2700,00 PAL

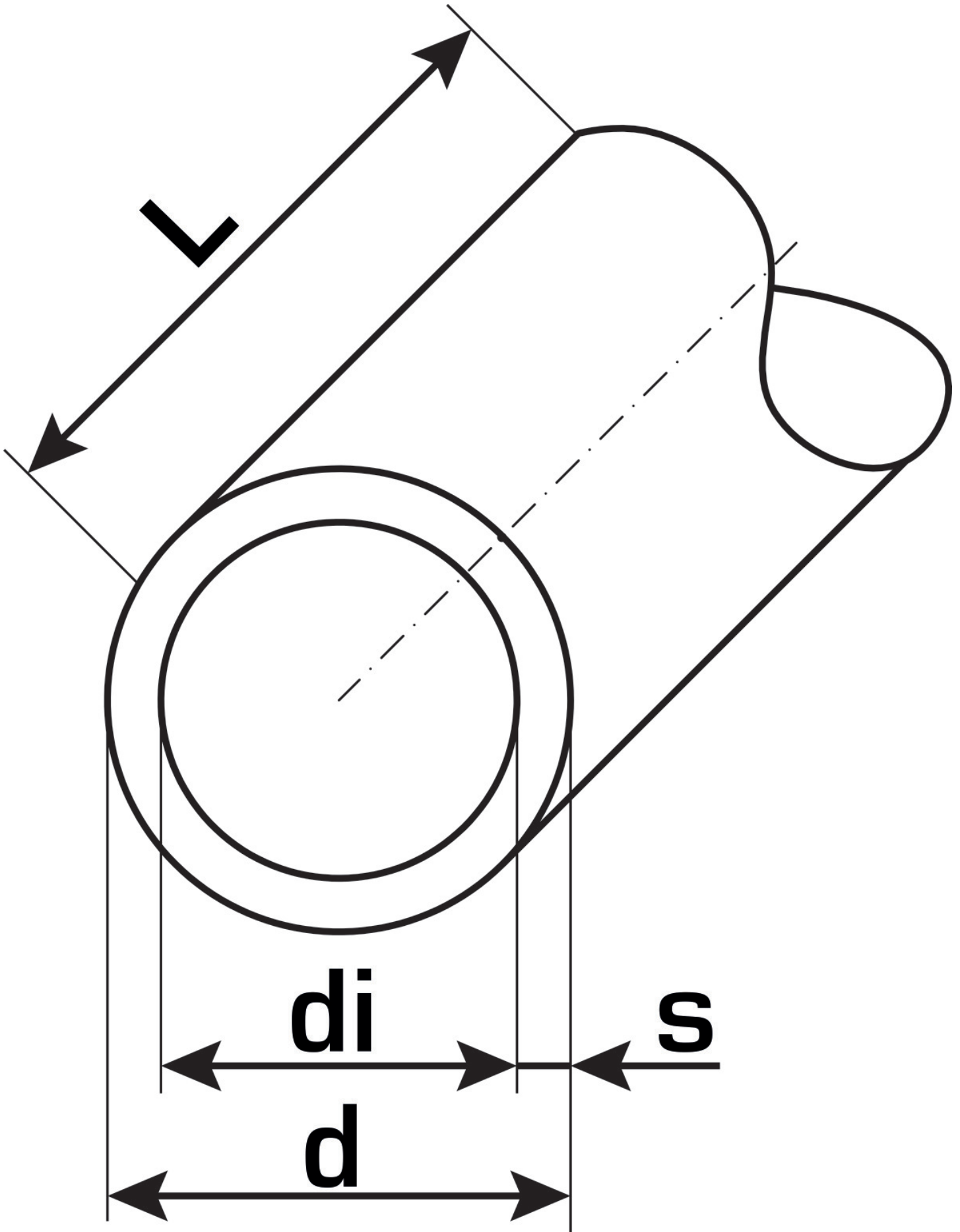
L 300 m

weight 0,110 KGM

text KELOX-ULTRAX FB Velcro tube

INTRNR 39173900

code KMU121K



Art. No	label	d1 mm	pipe contents l/m	s mm
7001613	16x2	16	0,113	2



KE KELIT GmbH

A 4020 Linz, Ignaz-Mayer-Straße 17, Austria, Europe

PHONE +43 (0) 50 779 **E-MAIL** office@kekelit.com

www.kekelit.com