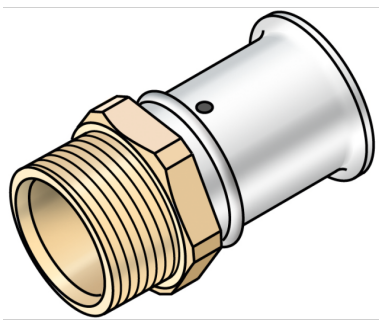


KELOX

KMU450C KELOX-ULTRAX - COPPER screw adapter with male thread 20x22/1-1/8"

71205D04

Areas of application



Press-fit adapter with male thread made of brass incl. support sleeves with O-rings and stainless steel press-fit sleeves for adapting to copper pipes; supplied without copper pipe union "leak before pressed"

Specifications

Article information

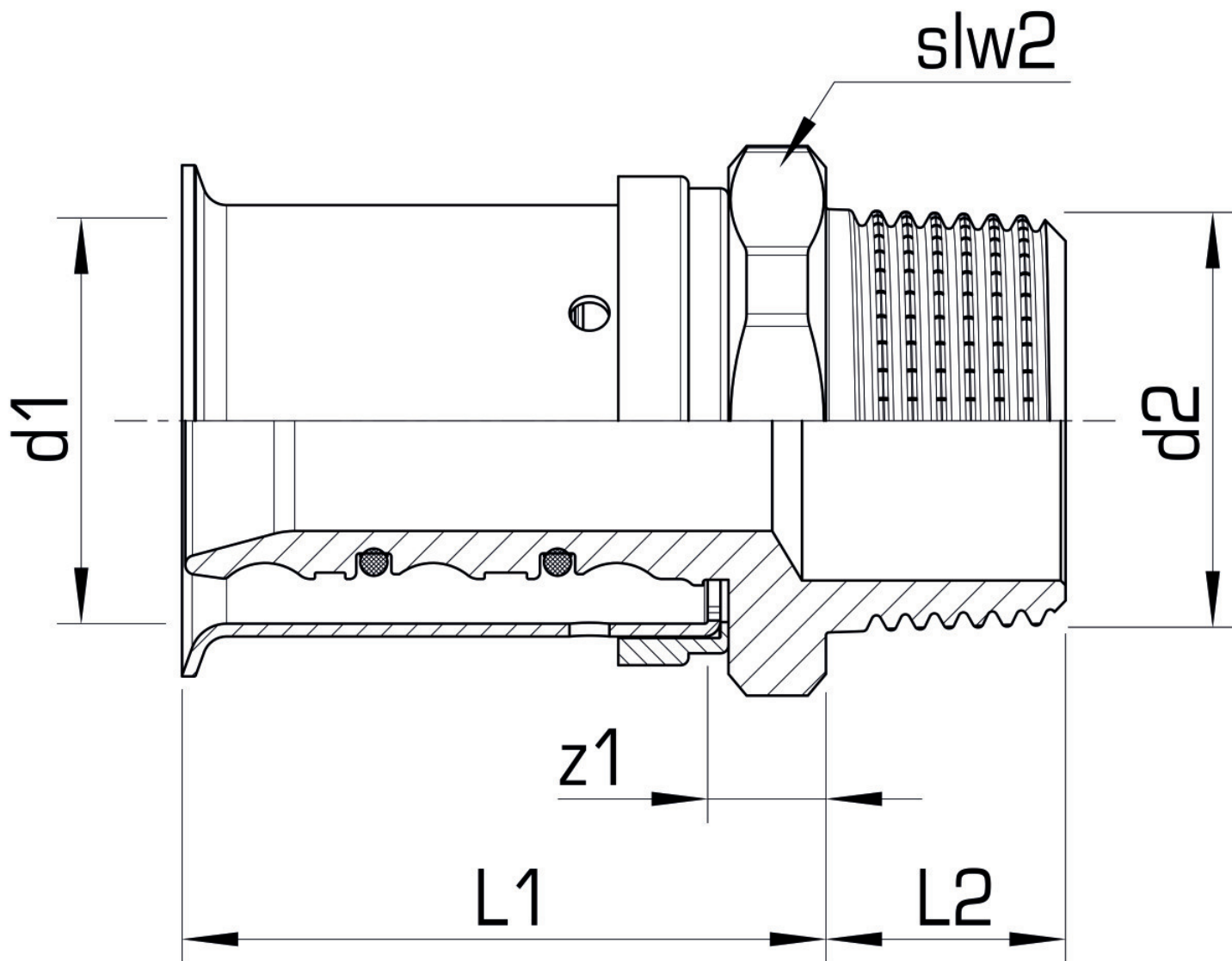
port 1	Pressmuffe
port 2	Außengewinde Flare (UNF)
execution	1-part
design	gerade
press contour	U

Technical properties

maximum working pressure at 20 ° C	10
------------------------------------	----

Product information

VPE1	10,00 SA1
VPE2	170,00 KT1
weight	0,069 KGM
text	KELOX-ULTRAX - COPPER screw adapter with male thread
INTRNR	74122000
main material group	KELOX
material group	KELOX-ULTRAX metal fittings
code	KMU450C



Art. No	label	d2	d1 mm	L1 mm	z1 mm	z2 mm	slw1 mm
71205D04	20x22/1-1/8"	1 1/8"	20	31,5	6	17,5	32