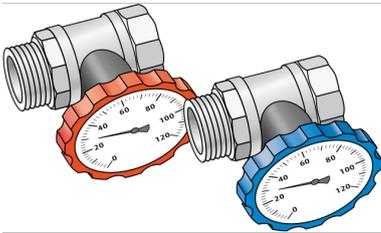


# KELOX<sub>FB</sub>

KM593T KELOX 6/4" connection ball valve with thermometer 6/4" straight

90049050

## Areas of application



?Straight connecting ball valves for shutting off 6/4" manifolds, with flat-sealing male thread to the manifold bar, including seal, thermometer from 0-120°C, non-porous metallised brass

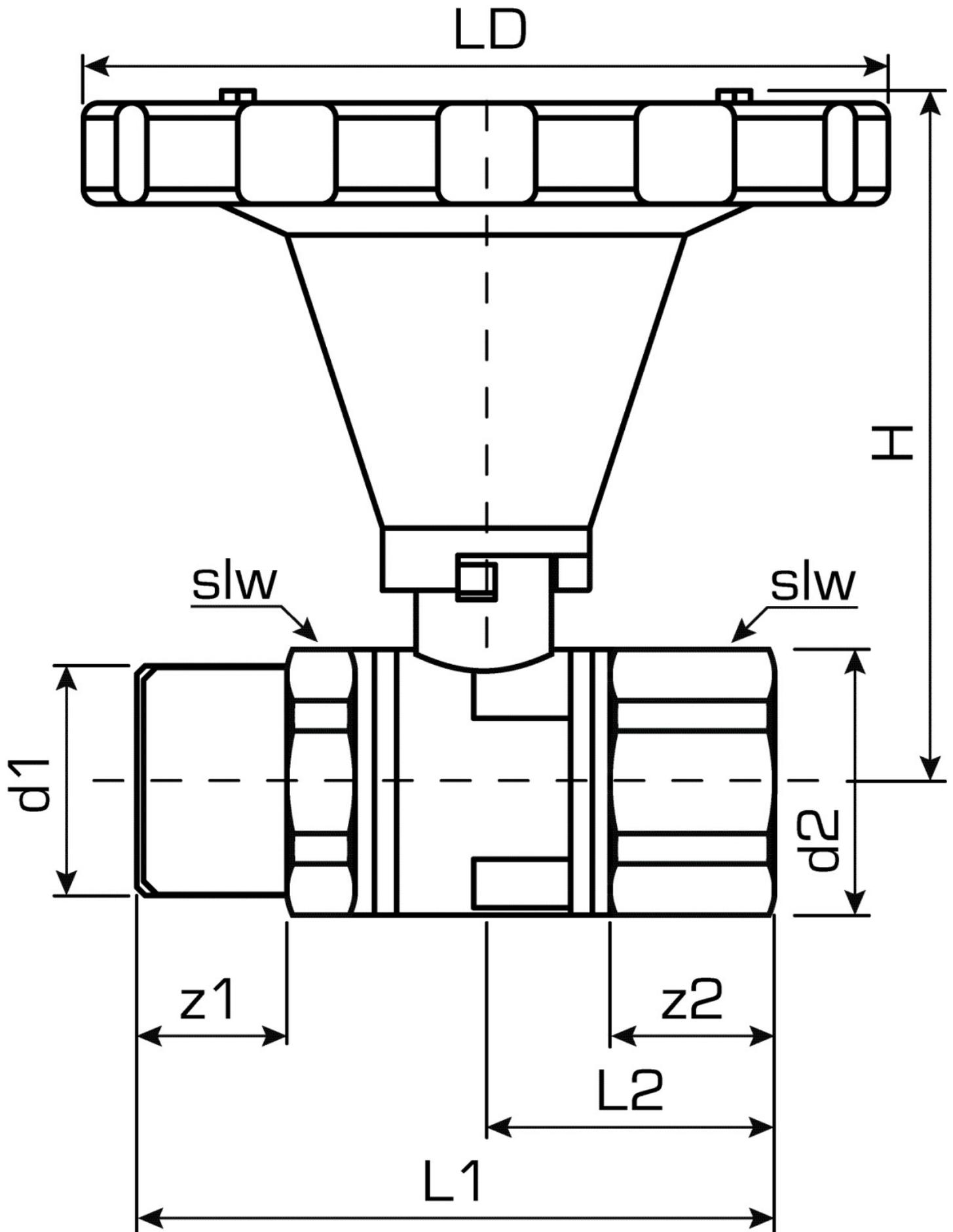
# Specifications

## Article information

<b>port 1</b>	Außengewinde konisch (NPT)
<b>port 2</b>	Innengewinde zylindrisch (BSPP)
<b>execution</b>	gerade

## Product information

<b>VPE1</b>	1,00 KT1
<b>VPE2</b>	10,00 KT2
<b>weight</b>	2,750 KGM
<b>text</b>	KELOX 6/4" connection ball valve with thermometer
<b>INTRNR</b>	84818081
<b>code</b>	KM593T



Art. No	label	L1 mm	L2 mm	z1 mm	z2 mm
90049050	6/4" straight	95	42	17	14,5



**KE KELIT GmbH**

A 4020 Linz, Ignaz-Mayer-Straße 17, Austria, Europe

**PHONE** +43 (0) 50 779 **E-MAIL** [office@kekelit.com](mailto:office@kekelit.com)

[www.kekelit.com](http://www.kekelit.com)