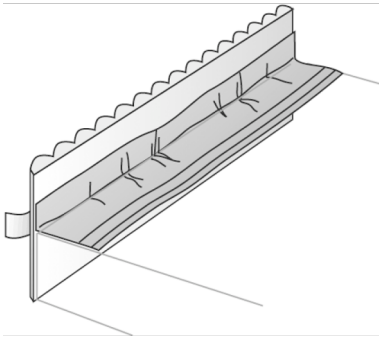


# KELOX<sub>FB</sub>

## KM634 KELOX FB edge insulating strip 8x150mm

6060100

### Areas of application



Made from foamed PE, self-adhesive reverse including five tear-off strips; front with self-adhesive shrink-wrapped overlapping foil to connect tightly edge insulating strips and footfall sound foil or screentone

Roll length: 25m

Thickness: 8mm

Width: 150mm

Storage temperature max. 40°C!



KE KELIT GmbH

A 4020 Linz, Ignaz-Mayer-Straße 17, Austria, Europe

PHONE +43 (0) 50 779 E-MAIL [office@kekelit.com](mailto:office@kekelit.com)

[www.kekelit.com](http://www.kekelit.com)

# Specifications

## Article information

**colour** Miscellaneous

## Product information

**VPE1** 200,00 SA1

**weight** 0,050 KGM

**text** KELOX FB edge insulating strip

**INTRNR** 39211900

**code** KM634

## Art. No

6060100

## label

8x150mm