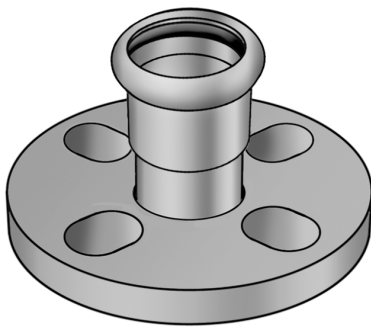


COPPER FIX

COF486A COPPERFIX copper press-adapter
flange AS-PN16 89-DN80 8-hole

52756K00

Areas of application



Press-adapter flange, flat-sealing made of red brass, incl. EPDM sealing elements, depending on the size with flat or grooved sealing surface, "leak before pressed"

Press contour: M

Flange dimensions conforming to Australian standard AS 2129-2000 - PN16

Flange dimensions for d108 mm the same as DIN 2501 - PN16

Approvals:



Specifications

Article information

| | |
|---------------|------------|
| port 1 | Pressmuffe |
| port 2 | Flansch |
| press contour | M |

Technical properties

| | |
|----|-------|
| PN | PN 16 |
|----|-------|

Product information

| | |
|---------------------|---|
| VPE1 | 1,00 KT1 |
| weight | 4,360 KGM |
| text | COPPERFIX copper press-adapter flange AS-PN16 |
| INTRNR | 74122000 |
| main material group | COPPERFIX |
| material group | KUPFER pressfittings |
| code | COF486A |

| Art. No | label |
|----------|----------------|
| 52756K00 | 89-DN80 8-hole |