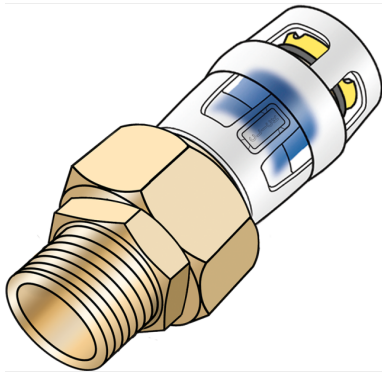


# KELOX

## KMP451X KELOX-PROTEC CLIX union with male thread 25x1"

730241E05

### Areas of application



Plug-in union with male thread made from stainless steel, thread conforms to ÖNORM EN 10226, for connection to fittings, made of dezincification-resistant brass (DZR), including push-on sleeve made of transparent polyamide with insertion click noise, as well as haptic and optical insertion indicator, O-rings, withdrawal barriers and protector ring as insertion locking device, flat-sealing incl. seal

## Approvals:



# Specifications

## Article information

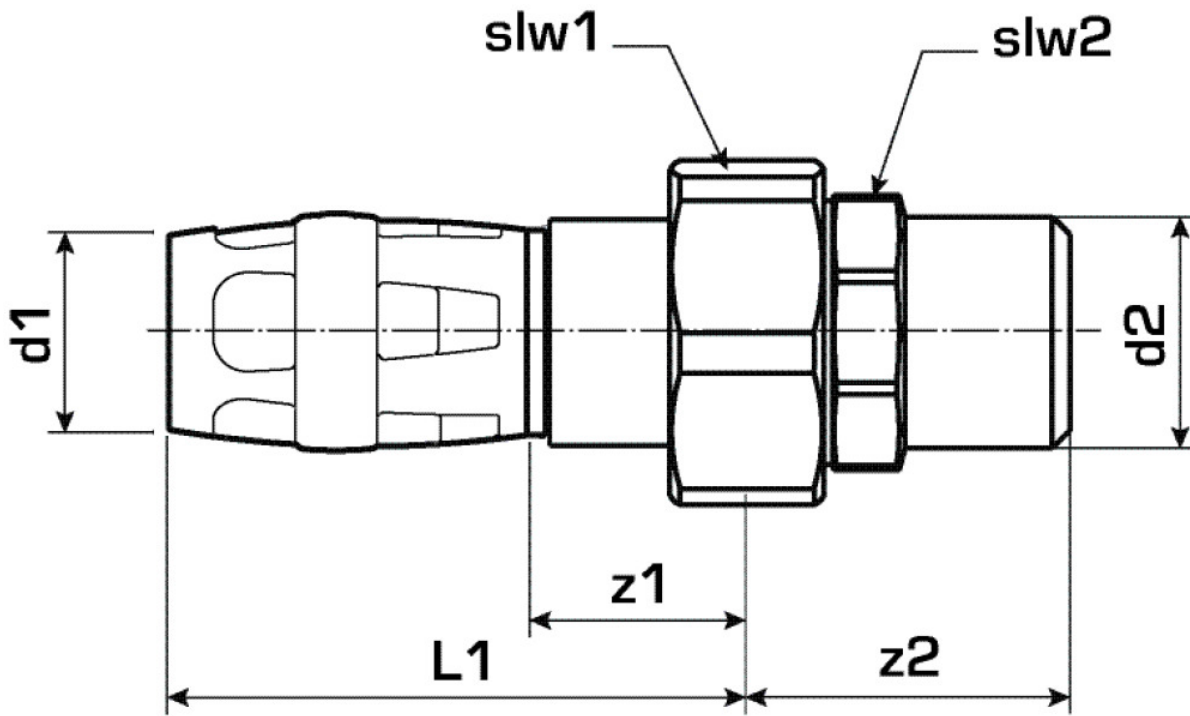
port 1	Plug-in
port 2	Male thread metric
design	Miscellaneous

## Technical properties

maximum working pressure at 20 ° C	10 bar
------------------------------------	--------

## Product information

VPE1	10,00 SA1
VPE2	50,00 KT1
weight	0,289 KGM
text	KELOX-PROTEC CLIX union with male thread
INTRNR	74122000
main material group	KELOX
material group	KELOX-PROtec pushfittings
code	KMP451X



Art. No	label	d2 Zoll	d1 mm	L1 mm	z1 mm	z2 mm	slw1 mm	slw2 mm
730241E05	25x1"	1 Zoll (25)	25	63	18	36	30	39