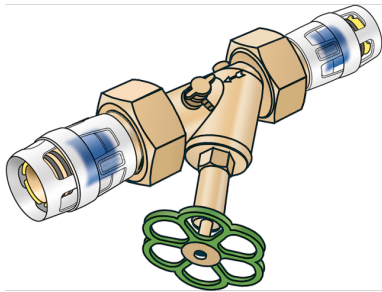


KELOX

KMP452X KELOX-PROTEC CLIX slanted-seat valve 32-DN25

730233FF0

Areas of application



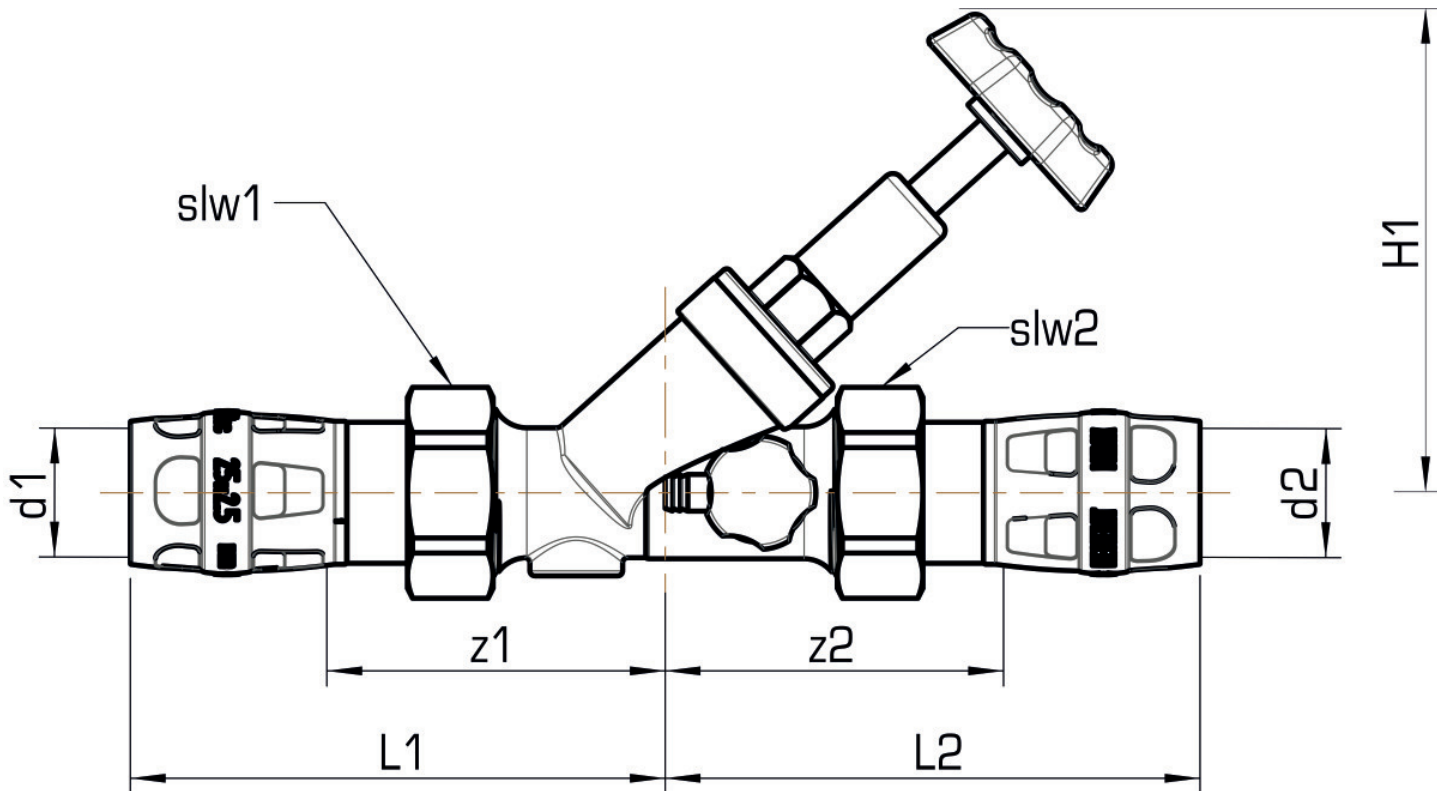
Slanted-seat valve with PROTEC CLIX plug-in threaded unions KMP455 top part free of dead space, flat-sealing incl. seal and drain outlet

Approvals:



Specifications

Product information	
VPE1	1,00 SA1
VPE2	6,00 KT1
weight	1,464 KGM
text	KELOX-PROTEC CLIX slanted-seat valve
INTRNR	74122000
main material group	KELOX
material group	KELOX-PROtec pushfittings
code	KMP452X



Art. No	label	L1 mm	L2 mm	z1 mm	z2 mm	slw1	slw2
730233FF0	32-DN25	117	117	78	78	47	47