

# KELOX

## KMP457X KELOX-PROTEC CLIX adapter with female thread 25x1"

730206E05

### Areas of application



Plug-in adapter with female thread, made of dezincification-resistant brass (DZR), incl. push-on sleeve made of transparent polyamide with insertion click noise, as well as haptic and optical insertion indicator, O-rings, withdrawal barriers and a protector ring as an insertion locking device  
DO NOT screw in any threaded pipes and cast iron fittings!

## Approvals:



# Specifications

## Article information

|        |   |
|--------|---|
| port 1 | Plug-in                                     |
| port 2 | Female thread cylindrical BSPT-Rp (ISO 7-1) |
| design | Straight                                    |

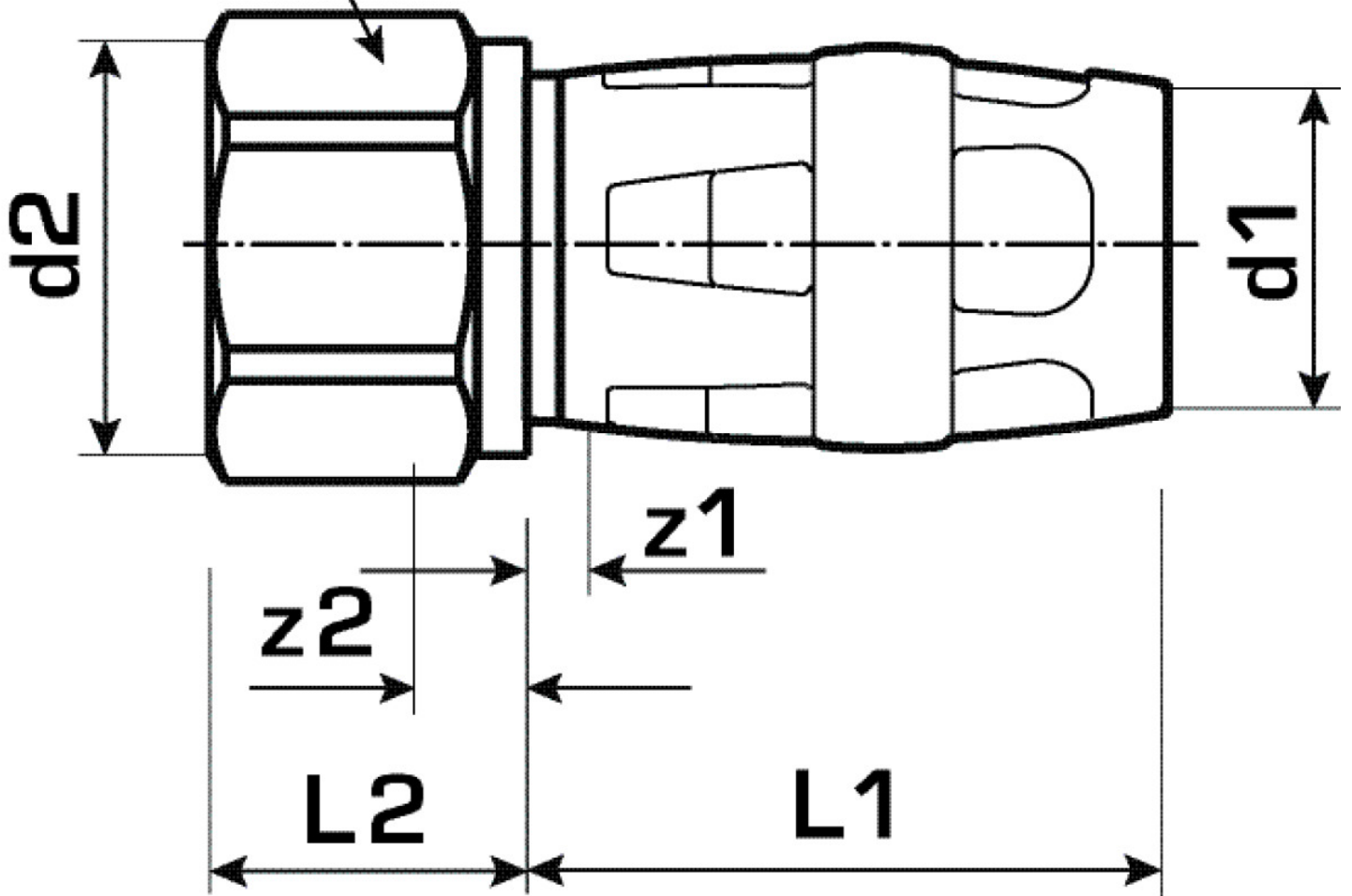
## Technical properties

|                                    |        |
|------------------------------------|--------|
| maximum working pressure at 20 ° C | 10 bar |
|------------------------------------|--------|

## Product information

|                     |  |
|---------------------|--|
| VPE1                | 10,00 SA1                                    |
| VPE2                | 80,00 KT1                                    |
| weight              | 0,137 KGM                                    |
| text                | KELOX-PROTEC CLIX adapter with female thread |
| INTRNR              | 74122000                                     |
| main material group | KELOX  |
| material group      | KELOX-PROtec pushfittings                    |
| code                | KMP457X                                      |

slw2



| Art. No   | label | d2 Zoll        | d1 mm | L1 mm | L2 mm | z1 mm | z2 mm | slw2 mm |
|-----------|-------|----------------|-------|-------|-------|-------|-------|---------|
| 730206E05 | 25x1" | 1 Zoll<br>(25) | 25    | 43    | 23    | 4     | 8     | 38      |