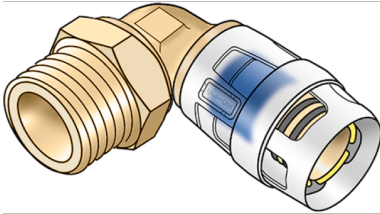


KELOX

KMP460X KELOX-PROTEC CLIX adapter elbow 90° with male thread 16x1/2"

730212B02

Areas of application



Plug-in elbow adapter with male thread for sealing, made of dezincification-resistant brass (DZR), incl. support sleeves with insertion click noise, as well as haptic and optical insertion indicator, O-rings, withdrawal barriers and protector ring as insertion locking device

Approvals:



KE KELIT GmbH

A 4020 Linz, Ignaz-Mayer-Straße 17, Austria, Europe

PHONE +43 (0) 50 779 E-MAIL office@kekelit.com

www.kekelit.com

Specifications

Article information

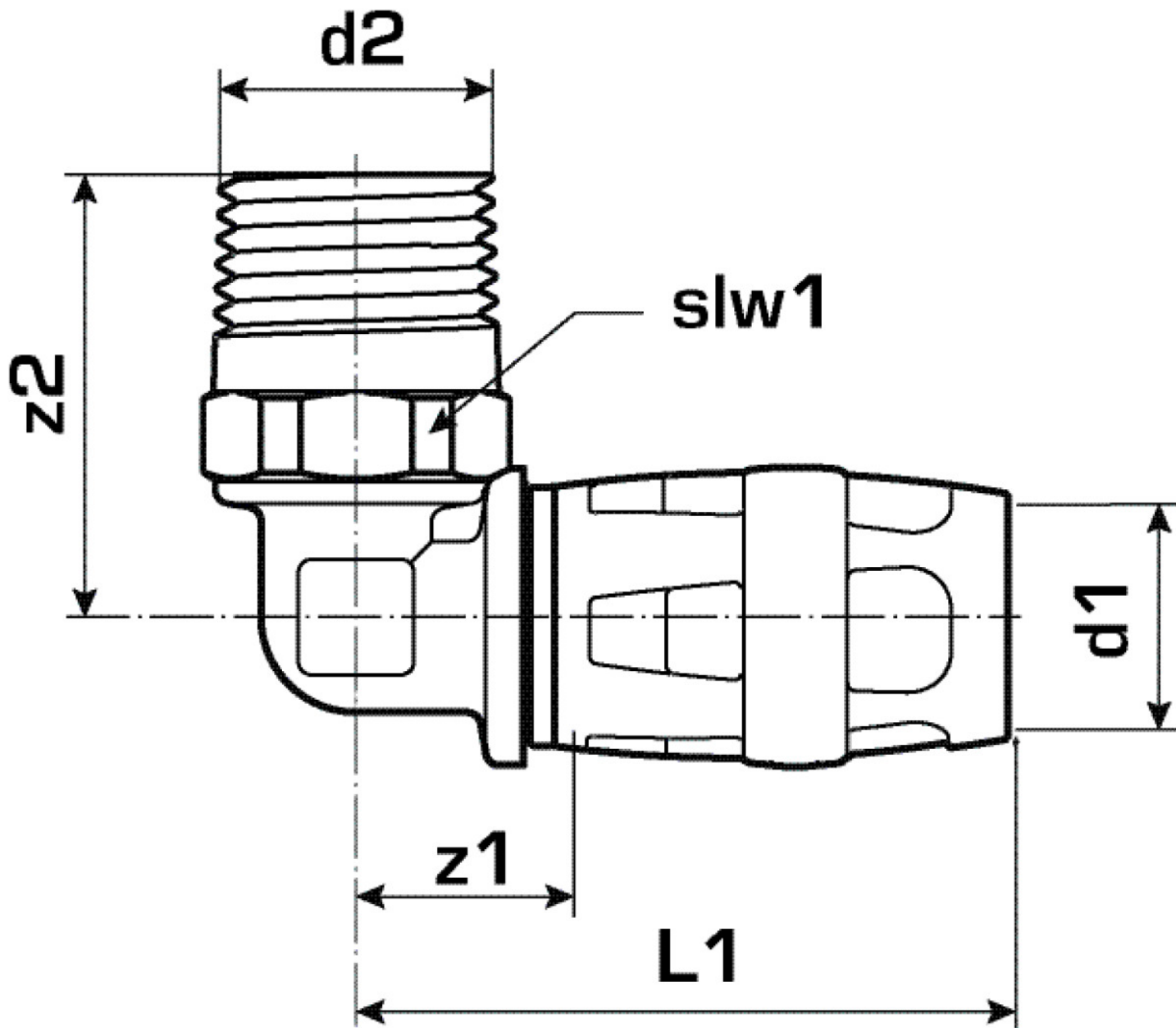
port 1	Plug-in
port 2	Male thread conical (NPT) conical (NPT)
design	Knee
angle	90 °

Technical properties

maximum working pressure at 20 ° C	10 bar
------------------------------------	--------

Product information

VPE1	10,00 SA1
VPE2	180,00 KT1
weight	0,079 KGM
text	KELOX-PROTEC CLIX adapter elbow 90° with male thread
INTRNR	74122000
main material group	KELOX
material group	KELOX-PROtec pushfittings
code	KMP460X



Art. No	label	d2 Zoll	d1 mm	L1 mm	L2 mm	z1 mm	z2 mm	slw1 mm
730212B02	16x1/2"	1/2 Zoll (15)	16	48,5	33,5	15,5	33	21