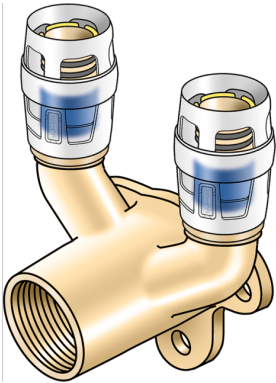


# KELOX

## KMP477X KELOX-PROTEC CLIX double U wall bracket fitting with female thread 16x1/2"

730254B2B

### Areas of application



Double U wall bracket fitting with female thread, made of dezincification-resistant (DZR) brass, including support sleeves with insertion click noise, as well as haptic and optical insertion indicator, O-rings, withdrawal barriers and a protector ring as an insertion locking device

Overall height: 1/2" - 46 mm

DO NOT screw in threaded pipes and cast iron fittings!

## Approvals:



# Specifications

## Article information

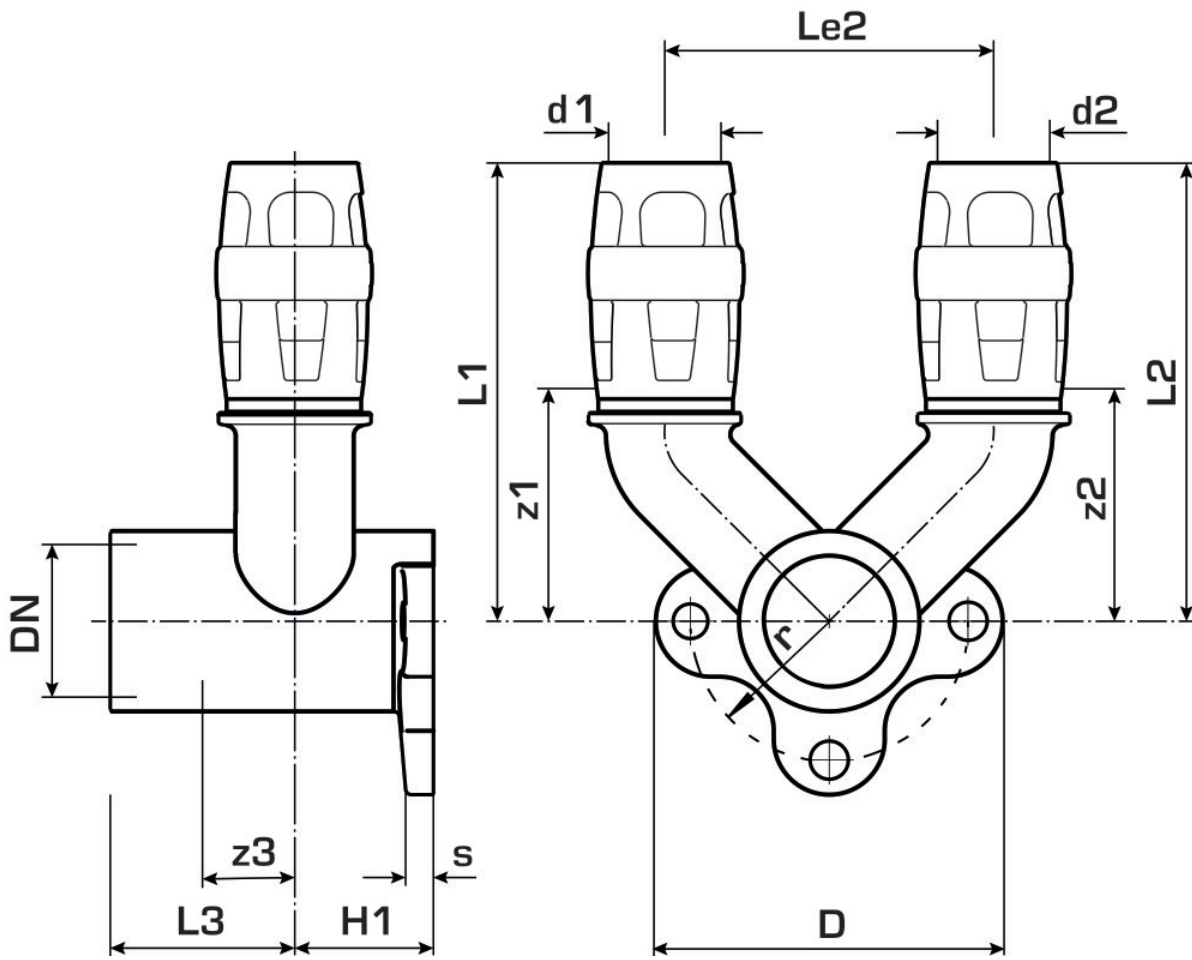
|        |                           |
|--------|---------------------------|
| port 1 | Plug-in                   |
| design | Continuously right-angled |

## Technical properties

|                                    |        |
|------------------------------------|--------|
| maximum working pressure at 20 ° C | 10 bar |
|------------------------------------|--------|

## Product information

|                     |  |
|---------------------|--|
| VPE1                | 10,00 SA1  |
| VPE2                | 50,00 KT1  |
| weight              | 0,246 KGM  |
| text                | KELOX-PROTEC CLIX double U wall bracket fitting with female thread |
| INTRNR              | 74122000   |
| main material group | KELOX  |
| material group      | KELOX-PROtec pushfittings  |
| code                | KMP477X  |



| Art. No   | label   | d1 mm | L1 mm | L2 mm | L3 mm | z1 mm | z2 mm | z3 mm |
|-----------|---------|-------|-------|-------|-------|-------|-------|-------|
| 730254B2B | 16x1/2" | 16    | 66    | 26    | 27    | 34    | 9     | 9     |