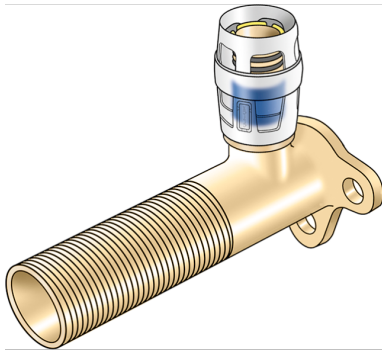


KELOX

KMP481X KELOX-PROTEC CLIX wall bracket fitting 90° with male thread 50mm 16x1/2"x50

730256B02

Areas of application



Plug-in wall bracket fitting with 50 mm male thread, made of non-porous dezincification-resistant (DZR) brass, including support sleeves with insertion click noise, as well as haptic and optical insertion indicator, O-rings, withdrawal barriers and a protector ring as an insertion locking device
Overall height: 1/2" - 85mm

Approvals:



Specifications

Technical properties

maximum working pressure at 20 ° C 10 bar

Product information

VPE1 10,00 SA1

VPE2 60,00 KT1

weight 0,171 KGM

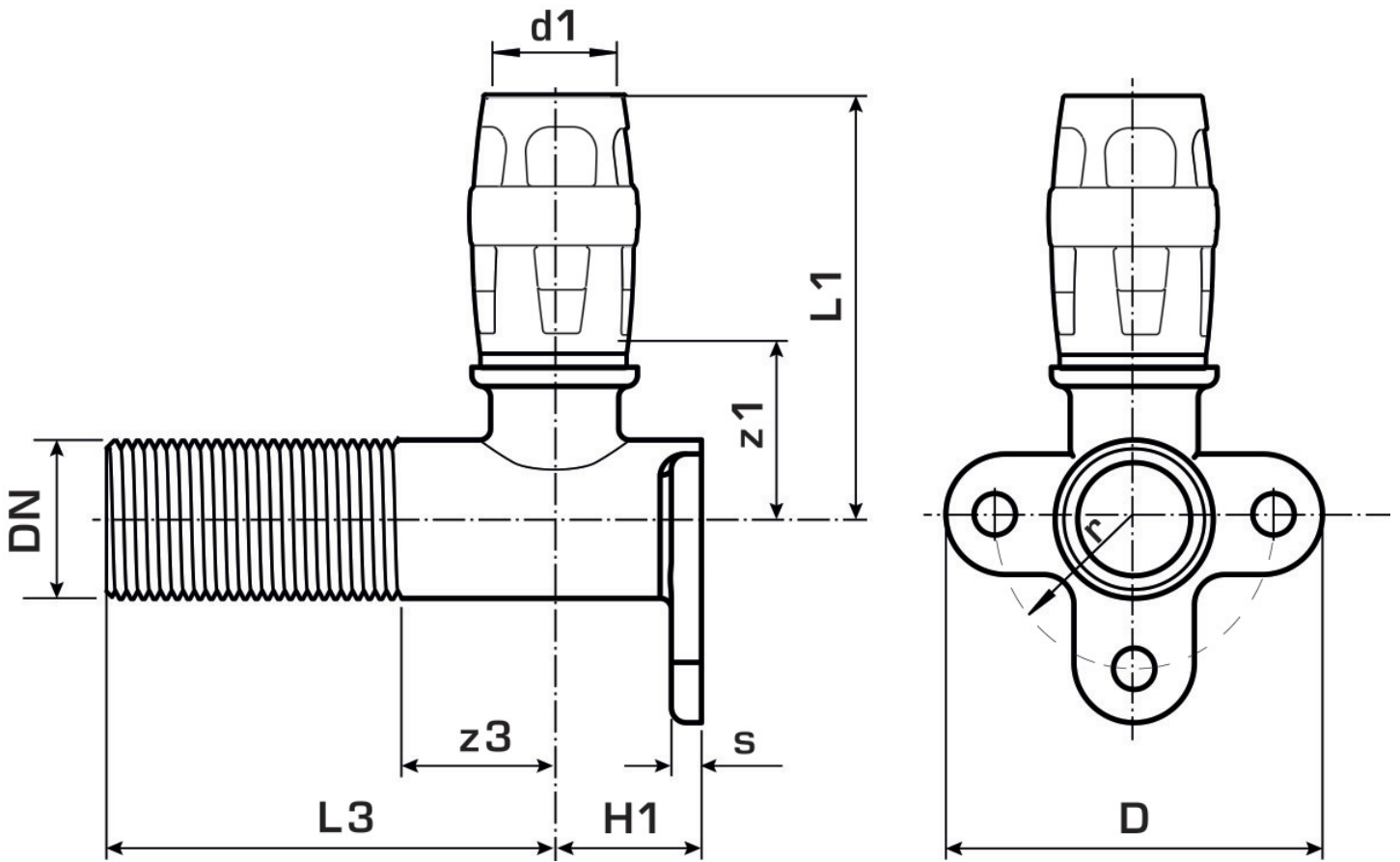
text KELOX-PROTEC CLIX wall bracket fitting 90° with male thread 50mm

INTRNR 74122000

main material group KELOX

material group KELOX-PROtec pushfittings

code KMP481X



| Art. No | label | d1 mm | L1 mm | L3 mm | z1 mm | z3 mm |
|-----------|------------|-------|-------|-------|-------|-------|
| 730256B02 | 16x1/2"x50 | 16 | 60 | 60 | 26 | 10 |