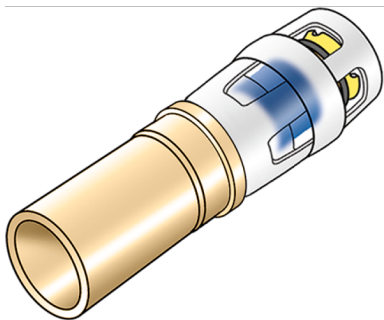


KELOX

KMP489 KELOX-PROTEC - STEELFIX adapter 16/18

73272CB0

Areas of application



?Press/push-in adapter, straight, from Steelfix, Copperfix pipe size to KELOX-PROTEC push-in sleeve made of red brass, incl. push-on sleeve made of transparent polyamide, O-rings, withdrawal barriers and a protector ring as an insertion locking device

ATTENTION! Connection to pipe end only suitable as a compression fitting or press-fit connection!

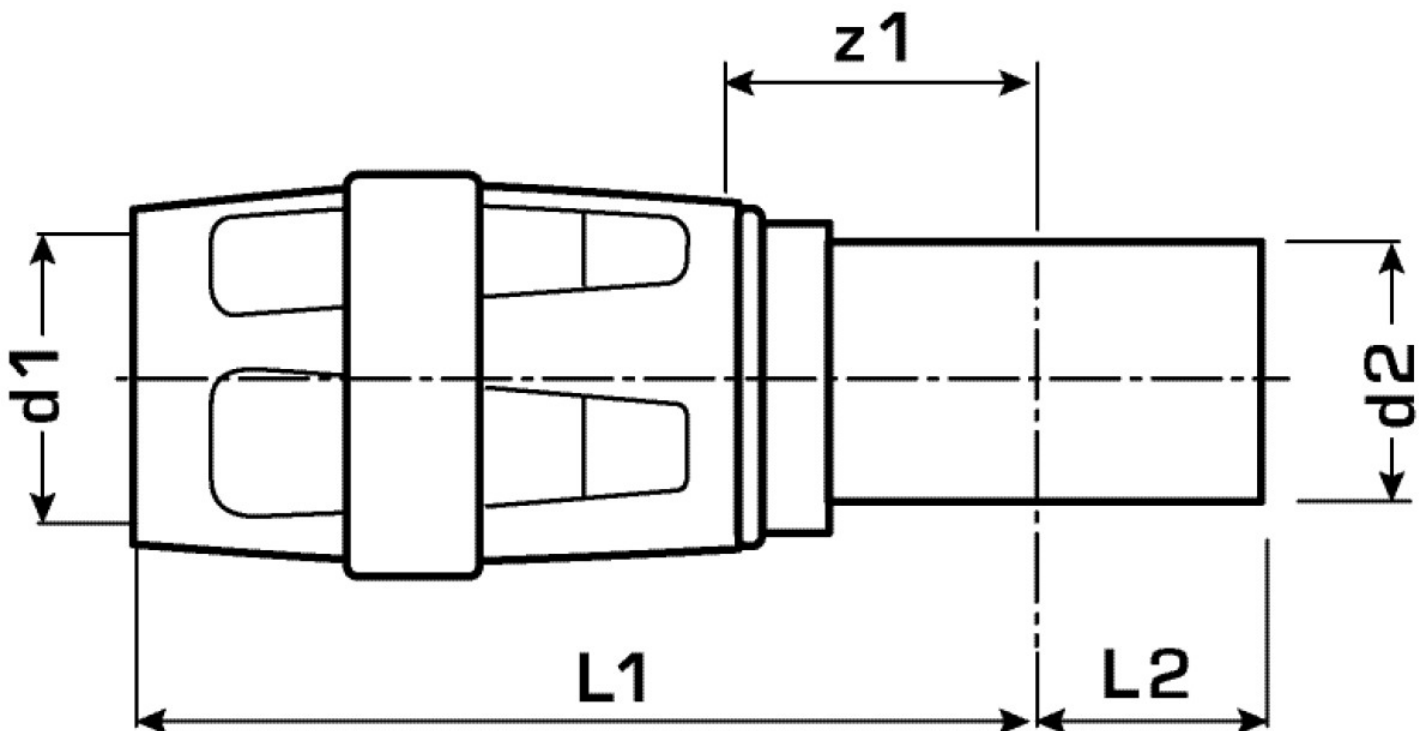
Approvals:



Specifications

Product information

VPE1	10,00 SA1
VPE2	160,00 KT1
weight	0,040 KGM
text	KELOX-PROTEC - STEELFIX adapter
INTRNR	74122000
main material group	KELOX
material group	KELOX-PROtec pushfittings
code	KMP489



Art. No	label
73272CB0	16/18



KE KELIT GmbH
A 4020 Linz, Ignaz-Mayer-Straße 17, Austria, Europe
PHONE +43 (0) 50 779 **E-MAIL** office@kekelit.com
www.kekelit.com