

KELOX_{FB}

KU100P ULTRA PE-RT FB Plus-Rohr - 9mm

7011162

Felhasználási terület



ULTRA PE-RT pipe type 2 according to ÖNORM EN ISO 22391, with PE-RT face layer, protected oxygen-tight EVOH barrier according to DIN 4726. with factory applied 9mm closed cell flexible foam insulation and protective cover of tough elastic PE film.

The connections can be made with KM fittings, KMP, KWP, KMU, KMW and KWW fittings

Classification of operating conditions according to ÖNORM EN ISO 22391

Floor heating - class 4: 60°C - tmax 70°C/6 bar

Insulation thickness: 9mm

Color: red

Supplied in rolls.

Engedélyek:



KE KELIT GmbH

A 4020 Linz, Ignaz-Mayer-Straße 17, Austria, Europe

PHONE +43 (0) 50 779 **E-MAIL** office@kekelit.com

www.kekelit.com

Specifikáció

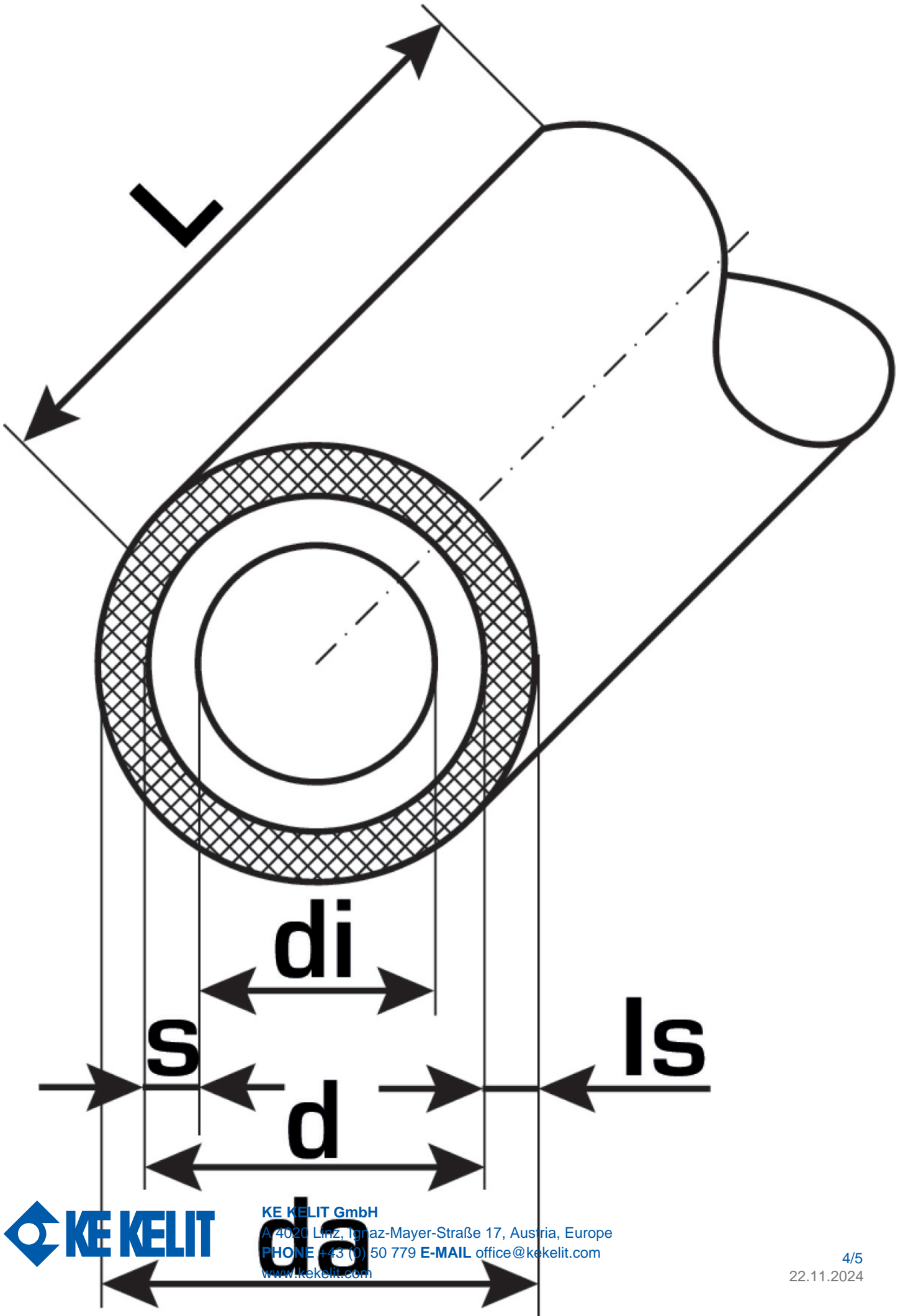


KE KELIT GmbH

A 4020 Linz, Ignaz-Mayer-Straße 17, Austria, Europe

PHONE +43 (0) 50 779 **E-MAIL** office@kekelit.com

www.kekelit.com





KE KELIT GmbH

A 4020 Linz, Ignaz-Mayer-Straße 17, Austria, Europe

PHONE +43 (0) 50 779 **E-MAIL** office@kekelit.com

www.kekelit.com