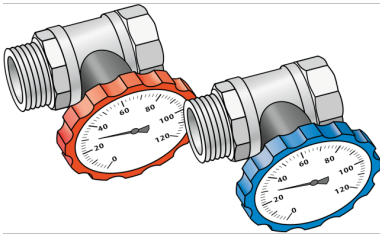


KELOX_{FB}

KM593T KELOX Anschlusskugelhahn 6/4" mit Thermometer

90049050

Felhasználási terület



Connection ball valves in straight form for shut-off of 6/4" manifolds, flat sealing male thread to manifold incl. seal, thermometer from 0-120°C, brass non-porous metallized

Specifikáció

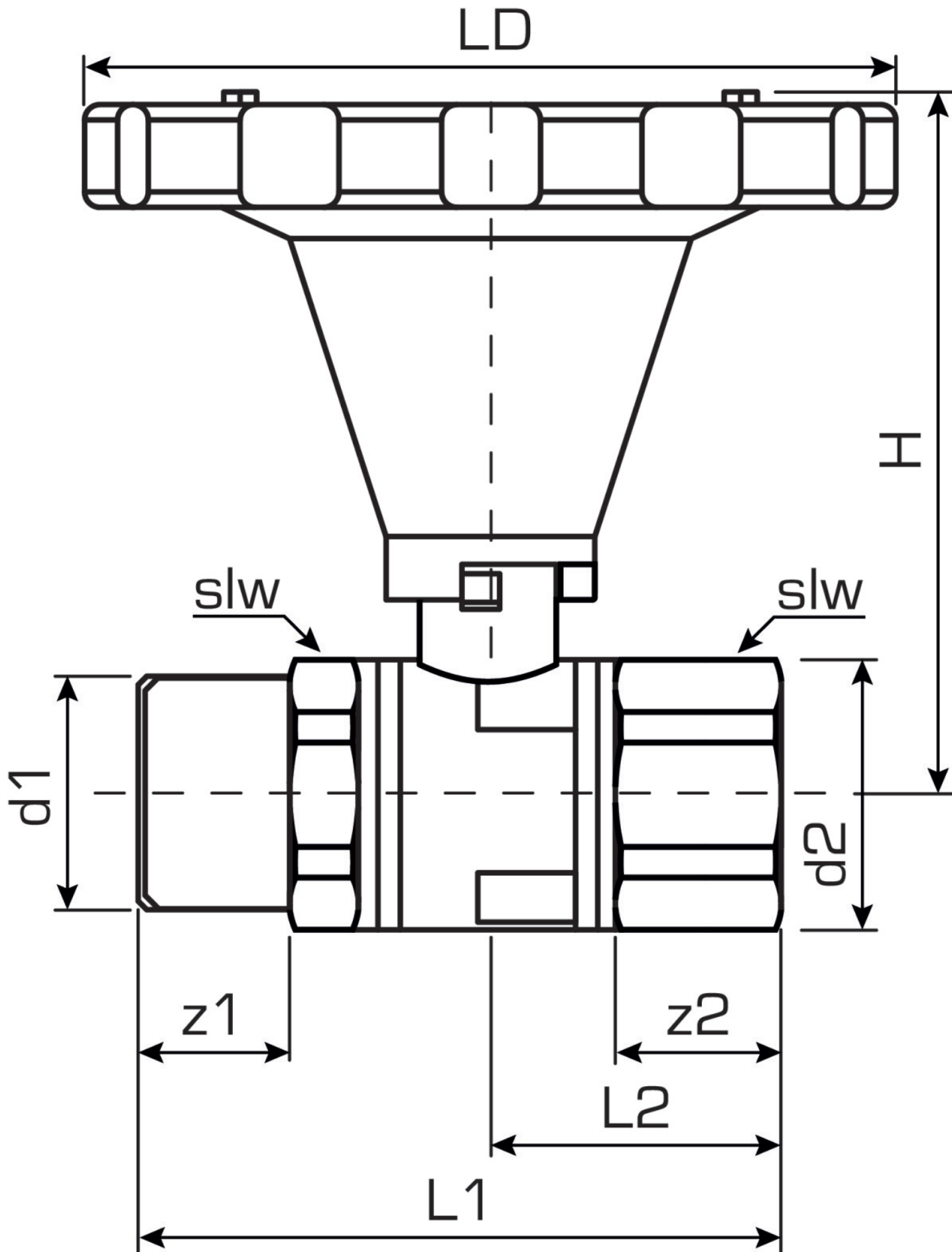


KE KELIT GmbH

A 4020 Linz, Ignaz-Mayer-Straße 17, Austria, Europe

PHONE +43 (0) 50 779 **E-MAIL** office@kekelit.com

www.kekelit.com





KE KELIT GmbH

A 4020 Linz, Ignaz-Mayer-Straße 17, Austria, Europe

PHONE +43 (0) 50 779 **E-MAIL** office@kekelit.com

www.kekelit.com