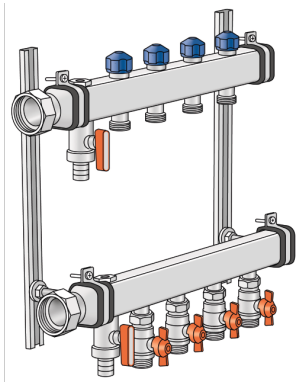


KELOX_{FB}

ULTRA PE-RT industrial surface manifold pipe
6/4" 5 L:540mm

7964050

Felhasználási terület



6/4" stainless steel flow and return flow bar with bleeding and emptying at the manifold end, connections with screwed-in 6/4" flat-sealing cap nut. On the feed line ball valve, 3/4" non-porous metallized brass with euro cone male thread; on the return line thermostatic valve for setting the water amount, heating circuit outlets 3/4" euro cone with male thread, return flow valve bonnets to fit KM596 KELOX thermal motor including soundproofed steel consoles

Area of application: tmax. 80°C/6 bar

ATTENTION - WITHOUT KM220 Euro screw fitting!

Specifikáció

Termékinformációk

Szöveg

ULTRA PE-RT industrial surface manifold pipe 6/4"

